



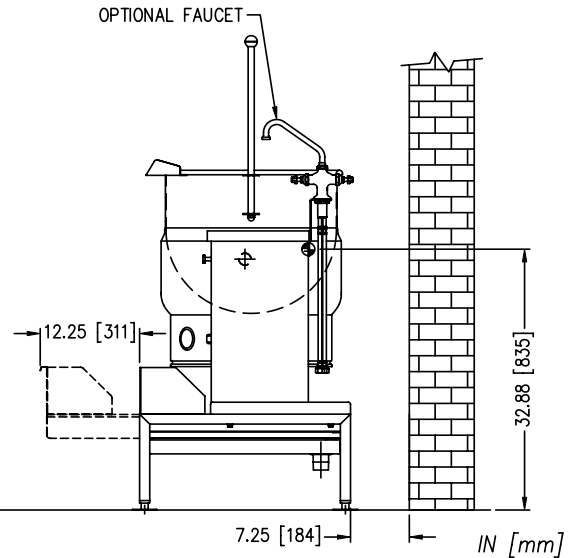
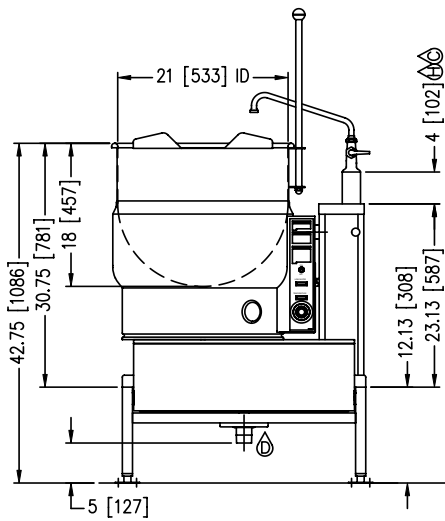
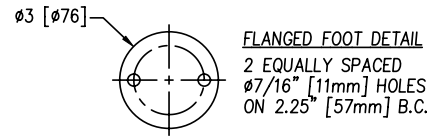
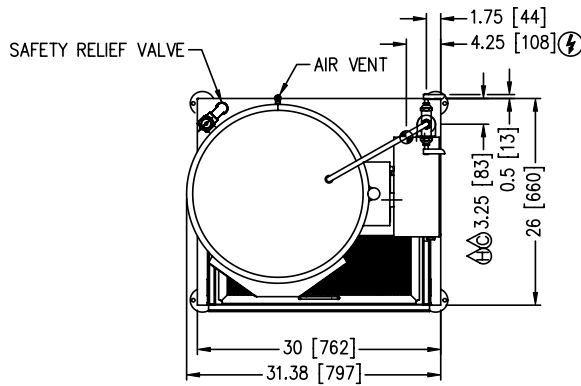
SD-30-20E

STANDARD FEATURES

- All stainless steel construction with 1-1/4" square tube frame.
- Removable drain drawer and splash shield.
- High front splash shield for added control.
- Removable splash diffuser.
- Roller action slides for drawer.
- Stationary drain connection.
- Four (4) adjustable flanged feet for floor mounting.

SPECIFICATIONS:

Shall be a CROWN Model **SD-30-20E**, Open Type Equipment Stand with removable Drain Drawer with nylon roller action guides and high front splash shield, for added splash control and removable splash diffuser. All stainless steel construction with 1-1/4" square frame and legs, stationary drain connection and four (4) flanged adjustable feet for floor bolting.



8510R1

MODEL	CAPACITY	kW	PHASE	SHIPPING WEIGHT	MIN. CLEARANCE	
					R.H. SIDE	L.H. SIDE
EC-20T with SD-30-20E	20 gallons 76 litres	12	1	320 lbs [145 kg]	R.H. SIDE	0
			3		L.H. SIDE	3 [76]
					BACK	6 [152]

SERVICE CONNECTIONS

- ⚡ - ELECTRICAL CONNECTIONS: TO BE SPECIFIED ON DATA PLATE
- Ⓒ - COLD WATER: Compression fitting for 5/8 O.D copper tubing or 1/2 NPSM male
- Ⓗ - HOT WATER: Compression fitting for 5/8 O.D copper tubing or 1/2 NPSM male
- Ⓓ - DRAIN: 1-1/2" - 11-1/2 NPT

**INTENDED FOR COMMERCIAL USE ONLY.
 NOT FOR HOUSEHOLD USE.**



70 Oakdale Road, Toronto ON, Canada M3N 1V9
 (919) 762-1000 www.crownsteamgroup.com