



GCTS-16 WITH SD-30-16S STAND

Job _____
Item# _____

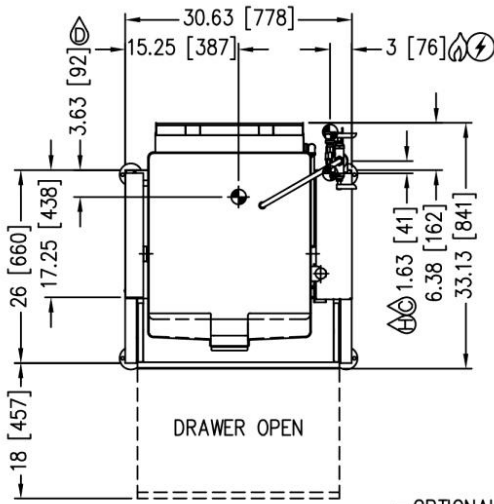


SPECIFICATIONS:

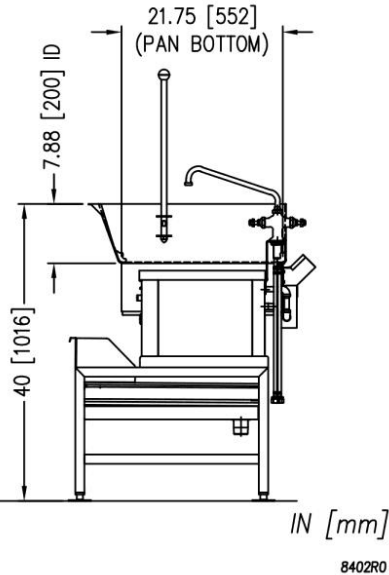
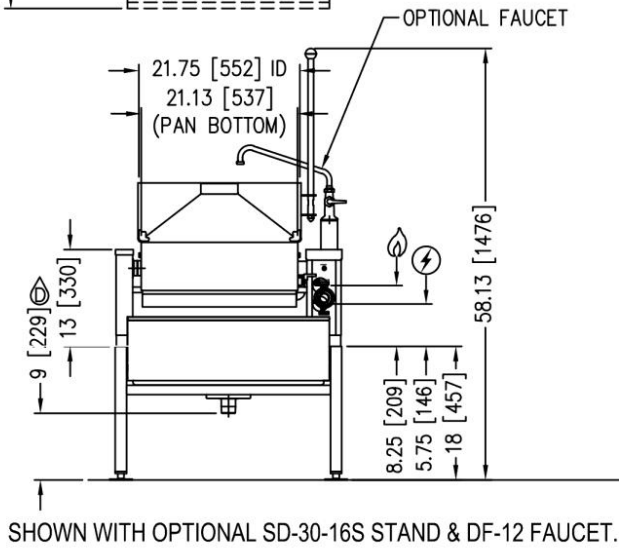
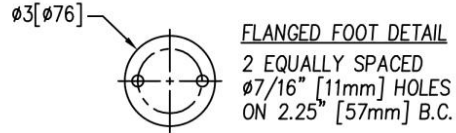
A Crown model GCTS-16 skillet with optional SD-30-16S open type equipment stand with drawer. All stainless steel construction 1-1/2" square tubular frame with four (4) adjustable flanged feet to floor anchor and removable drain drawer with roller action slides, high front splash shield, removable splash diffusing drawer bottom for added splash control and stationary drain connection.



Models: GCTS-16 with SD-30-16S



MODEL	SHIPPING WEIGHT	MINIMUM CLEARANCE *	
GCTS-16/ SD-30-16S	360 lbs. [163 kg]	Sides Back	3 [76]
SD-30-16S	55 lbs. [25 kg]		8 [203]



MODEL	GAS SUPPLY								
	BTU/HR	KW/HR	Supply Pipe Pressure (W.C)						
GCTS-16	63,000	18.5	<table border="0"> <tr> <td>Natural</td> <td>Propane</td> </tr> <tr> <td>6" - 14"</td> <td>11" - 14"</td> </tr> <tr> <td>(152 mm - 356 mm)</td> <td>(279 mm - 356 mm)</td> </tr> </table>	Natural	Propane	6" - 14"	11" - 14"	(152 mm - 356 mm)	(279 mm - 356 mm)
Natural	Propane								
6" - 14"	11" - 14"								
(152 mm - 356 mm)	(279 mm - 356 mm)								

* For use on noncombustible floors only.

SERVICE CONNECTIONS

- ⚡ _ Unless otherwise specified unit is furnished with 6' cord with 3 prong plug for use at 120 Volts, 60 Hz, single phase, maximum 2 Amps.
- 🔥 - GAS CONNECTION: 3/4" IPS
- Ⓞ - COLD WATER: 3/8" O.D. tubing to optional faucet
- 🔥 - HOT WATER: 3/8" O.D. tubing to optional faucet
- Ⓧ - DRAIN: 1-1/2" -11-1/2" NPT (OPTIONAL)

**INTENDED FOR COMMERCIAL USE ONLY.
NOT FOR HOUSEHOLD USE.**



70 Oakdale Road, Toronto ON, Canada M3N IV9
(919) 762-1000 www.crownsteamgroup.com