



SD-30-12G

STANDARD FEATURES

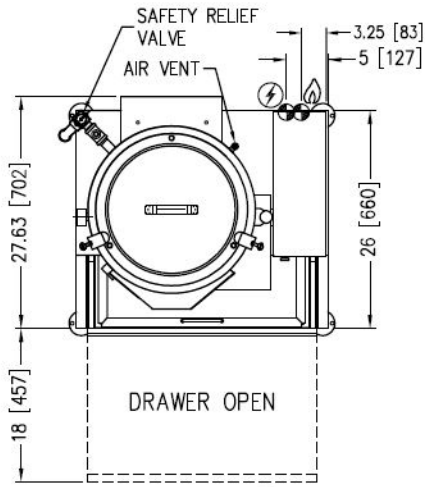
- All stainless steel construction with 1-1/4" square tube frame.
- Removable drain drawer and splash shield.
- High front splash shield for added control.
- Removable splash diffuser.
- Roller action slides for drawer.
- Stationary drain connection.
- Four (4) adjustable flanged feet for floor mounting.

SPECIFICATIONS:

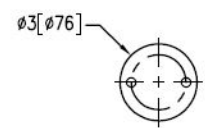
Shall be a CROWN Model SD-30-12G, Open Type Equipment Stand with removable Drain Drawer with nylon roller action guides and high front splash shield, for added splash control and removable splash diffuser. All stainless steel construction with 1-1/4" square frame and legs, stationary drain connection and four (4) flanged adjustable feet for floor bolting.



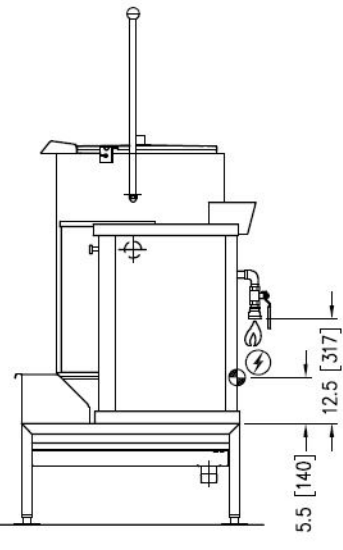
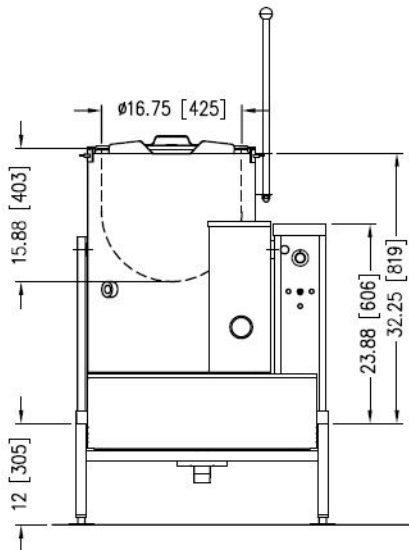
Models: SD-30-12G



SHIPPING WT.
510 lbs. [232 kg]




FLANGED FOOT DETAIL
 2 EQUALLY SPACED
 $\phi 7/16$ " [11mm] HOLES
 ON 2.5" [63mm] B.C.




IN [mm]
 8410R0

MODEL	BTU/HR.	kW/HR	WATER COLUMN PRESSURE		MIN. CLEARANCE	
			Natural 6"-14" (152-355 mm)	Propane 12"-14" (305-355 mm)	SIDES	BACK
GC-12 with SD-30-12G	43,000	12.6			0	6 [152]

SERVICE CONNECTIONS

 – ELECTRICAL CONNECTION: Unless otherwise specified, Field Wire Electrical Connection to be 120 Volts, 60 Hertz single phase with grounding wire. Unit furnished with 8' cord and 3 prong plug. Total max. amps 2.0

 – GAS CONNECTION: 3/4" (19 mm) pipe supply line required.

**INTENDED FOR COMMERCIAL USE ONLY.
 NOT FOR HOUSEHOLD USE.**



70 Oakdale Road, Toronto ON, Canada M3N 1V9
 (919) 762-1000 www.crownsteamgroup.com