



GS-(30,40) SKILLET WITH SLIDING DRAIN PAN (S-SDP-2)

Job _____
Item# _____



S-SDP-2

SPECIFICATIONS:

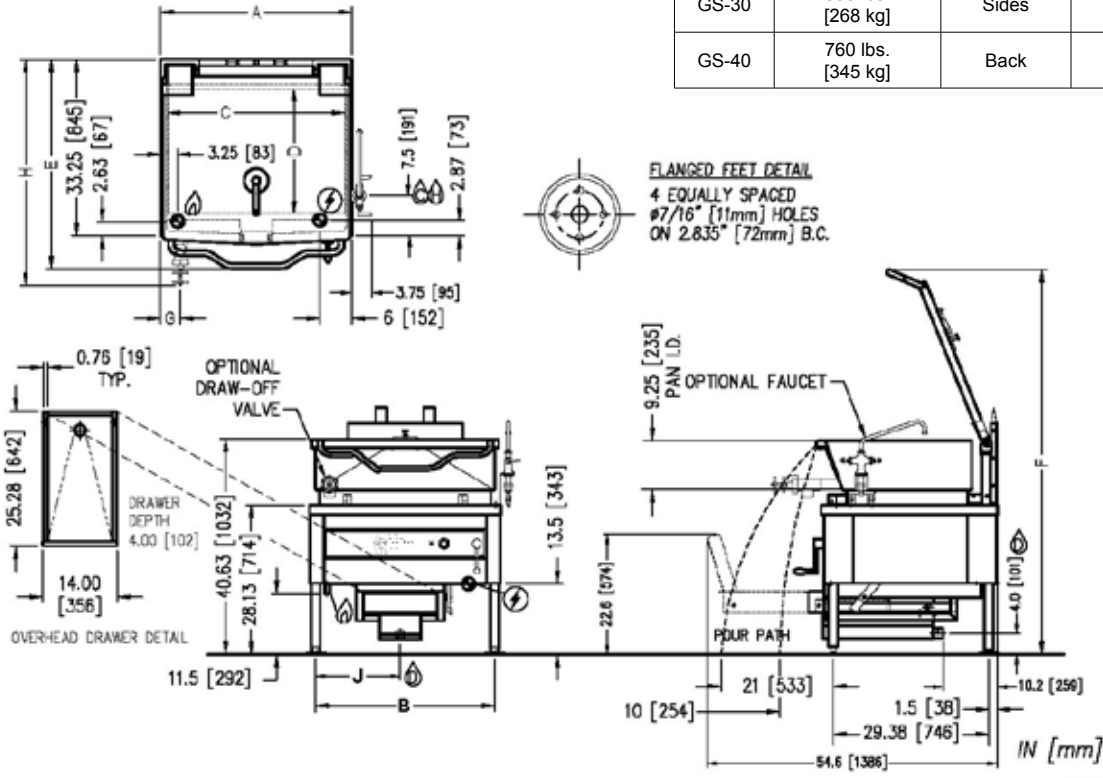
Crown model GS-(30,40) skillet with optional sliding drain pan (S-SDP-2). All stainless steel construction 1-1/4" square tubular frame, removable drain drawer with roller action slides, high front flip up splash shield, removable splash diffusing drawer bottom for added splash control and stationary drain connection.



Models: GS-30 with S-SDP-2

GS-40 with S-SDP-2

MODEL	SHIPPING WEIGHT	MINIMUM CLEARANCE *	
GS-30	590 lbs. [268 kg]	Sides	0
GS-40	760 lbs. [345 kg]	Back	6 [152]



* SHIPPING WEIGHT INCLUDES THE S-SDP-2 ASSEMBLY.

DIMENSIONS

MODEL	CAPACITY	A	B	C	D	E	F	G	H		J
									Ø2	Ø3	
GS-30	30 Gallons (114 liters)	36" (914)	33.63" (854)	33.5" (851)	23.5" (597)	39.5" (1003)	72.38" (1838)	3.75" (95)	42.63 (1083)	46.5 (1181)	15.9 (404)
GS-40	40 Gallons (152 liters)	48" (1219)	45.63" (1159)	43.5" (1105)	23" (584)	39.88" (1000)	71.88" (1826)	4.75" (121)	42.63 (1083)	46.5 (1181)	22.8 (580)

MODEL	GAS SUPPLY		
	BTU/HR	KW/HR	Supply Pipe Pressure (W.C)
GS-30	100,000	29.3	Natural 6" - 14" (152 mm - 356 mm)
GS-40	125,000	36.6	

* For use on noncombustible floors only.

SERVICE CONNECTIONS

- ⚡ _ Unless otherwise specified unit is furnished with 6' cord with 3 prong plug for use at 120 Volts, 60 Hz, single phase, maximum 2 Amps.
- 🔥 - GAS CONNECTION: 3/4" IPS
- 💧 - COLD WATER: 3/8" O.D. tubing to optional faucet
- 🔥 - HOT WATER: 3/8" O.D. tubing to optional faucet
- 🚰 - DRAIN: 1-1/2" -11-1/2" NPT (OPTIONAL)

INTENDED FOR COMMERCIAL USE ONLY.
NOT FOR HOUSEHOLD USE.
INTENDED FOR COMMERCIAL USE ONLY.
NOT FOR HOUSEHOLD USE.



70 Oakdale Road, Toronto ON, Canada M3N 1V9
 (919) 762-1000 www.crownsteamgroup.com