



# ES-(30,40) SKILLET WITH SLIDING DRAIN PAN (S-SDP-2)

Job \_\_\_\_\_  
Item# \_\_\_\_\_



S-SDP-2

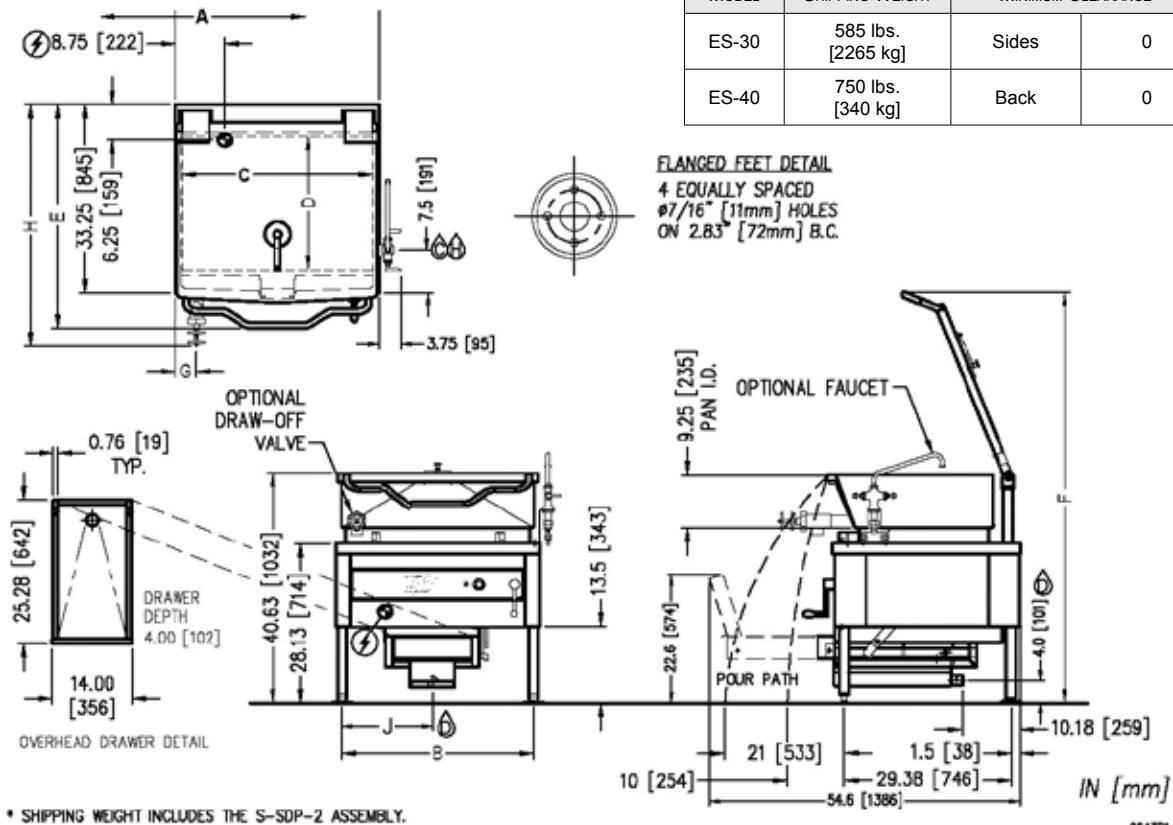
## **SPECIFICATIONS:**

Crown model ES-(30,40) skillet with optional sliding drain pan (S-SDP-2). All stainless steel construction 1-1/4" square tubular frame, removable drain drawer with roller action slides, high front flip up splash shield, removable splash diffusing drawer bottom for added splash control and stationary drain connection.



Models:  ES-30 with S-SDP-2

ES-40 with S-SDP-2



**DIMENSIONS**

| MODEL | CAPACITY                   | A             | B                | C               | D              | E                | F                | G              | H                   |                    | J             |
|-------|----------------------------|---------------|------------------|-----------------|----------------|------------------|------------------|----------------|---------------------|--------------------|---------------|
|       |                            |               |                  |                 |                |                  |                  |                | Ø2                  | Ø3                 |               |
| ES-30 | 30 Gallons<br>(114 liters) | 36"<br>(914)  | 33.63"<br>(854)  | 33.5"<br>(851)  | 23.5"<br>(597) | 38.88"<br>(987)  | 72.38"<br>(1838) | 3.75"<br>(95)  | 42.63"<br>(1083 mm) | 46.5"<br>(1181 mm) | 15.9<br>(404) |
| ES-40 | 40 Gallons<br>(152 liters) | 48"<br>(1219) | 45.63"<br>(1159) | 43.5"<br>(1105) | 23"<br>(584)   | 39.38"<br>(1000) | 71.88"<br>(1826) | 4.75"<br>(121) | 2.63"<br>(1083 mm)  | 46.5"<br>(1181 mm) | 22.8<br>(580) |

**UTILITY INFORMATION**

| AMPS PER LINE |    |       |        |        |        |        |        |        |
|---------------|----|-------|--------|--------|--------|--------|--------|--------|
| MODEL         | kW | PHASE | 208V   | 220V   | 240V   | 380V   | 415V   | 480V   |
| ES-30         | 12 | 1     | 57.7 A | 54.5 A | 50.0 A | N/A    | N/A    | N/A    |
|               |    | 3     | 33.3 A | 31.5 A | 28.9 A | 18.2 A | 16.7 A | 14.4 A |
| ES-40         | 18 | 1     | 86.5 A | 81.8 A | 75.0 A | N/A    | N/A    | N/A    |
|               |    | 3     | 50.0 A | 47.2 A | 43.3 A | 27.3 A | 25.0 A | 21.7 A |

**SERVICE CONNECTIONS**

- ⚡ - ELECTRICAL CONNECTIONS: to be specified on data plate
- Ⓒ - COLD WATER: 3/8" O.D. tubing to faucet (OPTIONAL)
- Ⓓ - HOT WATER: 3/8" O.D. tubing to faucet (OPTIONAL)
- Ⓔ - DRAIN: 1-1/2"-11-1/2" NPT (OPTIONAL)

**INTENDED FOR COMMERCIAL USE ONLY.  
NOT FOR HOUSEHOLD USE.**



70 Oakdale Road, Toronto ON, Canada M3N 1V9  
(919) 762-1000 www.crownsteamgroup.com