



MODEL	CAPACITY	
UCBTG034V1	34 Gallon	130 Liter

### SPECIFICATIONS:

Cooking vessel in stainless steel AISI 304 (bottom thickness 12 mm and wall thickness 3 mm). Vessel with electric tilting on front part.

Lid in stainless steel AISI 304 (thickness 20/10), with double cover and ergonomic handle Balanced by means of gas springs.

Self-supporting frame in stainless steel AISI 304 (thickness 30-40/10) Outer cover in stainless steel AISI 304, fine satin finish (thickness 12-15/10)

Adjustable feet in stainless steel AISI 304 to ensure levelling, with removable cover for cleaning operations. Fast accessibility to the main functional parts ( electronic card, fuses, thermostats...) only removing the frontal panels

Protection level IPX5.

### OPERATION SHALL BE BY:

- Heating by means of stainless high efficiency steel tube burners.
- Automatic ignition and flame control system without pilot burner.
- Heating controlled by the electronic cars with automatic activation of the minimum power 2°C before the SETPOINT.
- Automatic mixing device with three arms and PTFE scrapers, completely removable to make cleaning easier, with regulation directly from the control panel according to the product to be processed.
- Electronic control by means of multifunctional keyboard with Touch Screen 7" and easy and clear messages.
- USB connection to download HACCP data, update the software and load cooking programs.
- Ability to interrogate the machine using communication protocol MODBUS over RS485 serial interface.
- Connection for power economizer

### OPTIONS and ACCESSORIES:

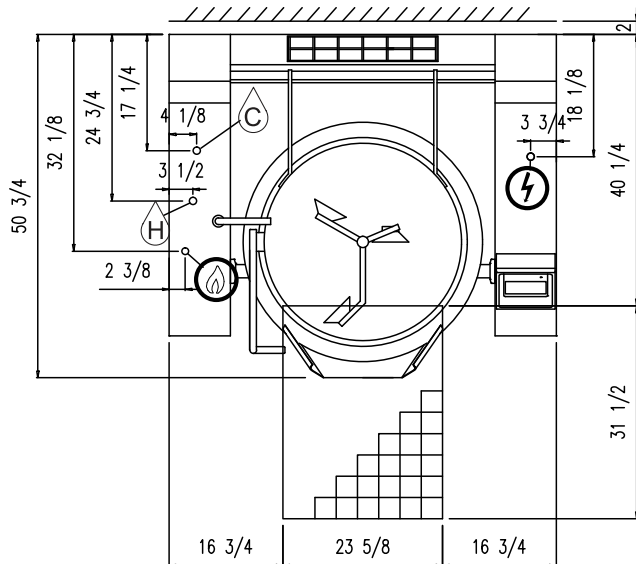
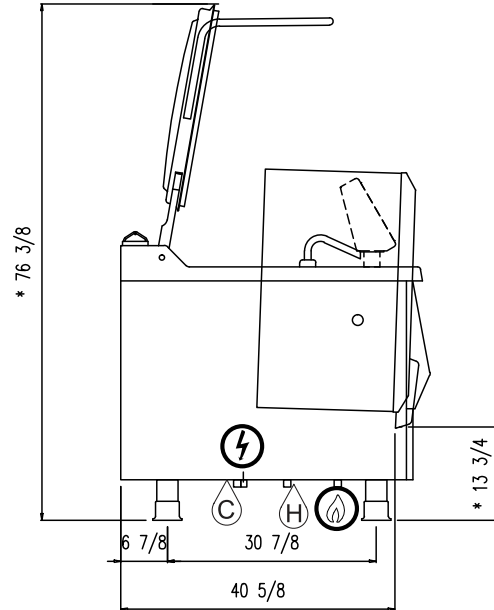
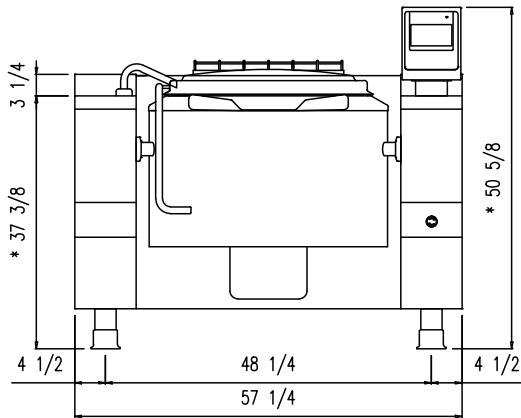
- Cleaning shower for UCBT/PR (CADE0010)
- Kit wheels PR/UCBT/UDBR (D150)
- Set feet for UDBR... (DAPF0010)
- Strainer for UCBT.024-034 (PAF0701)
- Tri-clover sanitary fittings 2" (PAF2050)
- Tri-clover sanitary fittings 3" (PAF2060)

Job

Item#

Models:  UCBTG034V1

\* REG. 0 ; + 1 5/8"



MODEL	WEIGHT	MINIMUM CLEARANCE	
UCBTG034V1	970 (440)	SIDES	0" [0 mm]
		BACK	2" [51 mm]

**UTILITIES**

GAS		ELECTRICAL - AMPS PER LINE			
MODEL	BTU	PHASE	KW	208V	220-240V
UCBTG034V1	95,000	2	.5	2.3	N/A
		2	.6	N/A	2.7

- Field Wire Electrical Connection to be as specified on rating plate.
- COLD WATER: 3/4" O.D. tubing at 25-50 PSI(170-345 kPa)
- HOT WATER: 3/4" O.D. tubing at 25-50 PSI(170-345 kPa).
- GAS CONNECTION: 3/4" IPS supply line required.

**INTENDED FOR COMMERCIAL USE ONLY.  
NOT FOR HOUSEHOLD USE.**



70 Oakdale Road, Toronto ON, Canada M3N 1V9  
(919) 762-1000 www.crownsteam.com