



MODEL	CAPACITY	
UCBTE018V1	18 Gallon	70 Liter

### SPECIFICATIONS:

Cooking vessel in stainless steel AISI 304 (bottom thickness 12 mm and wall thickness 3 mm). Vessel with electric tilting on front part.

Lid in stainless steel AISI 304 (thickness 20/10), with double cover and ergonomic handle Balanced by means of gas springs.

Self-supporting frame in stainless steel AISI 304 (thickness 30-40/10) Outer cover in stainless steel AISI 304, fine satin finish (thickness 12-15/10)

Adjustable feet in stainless steel AISI 304 to ensure levelling, with removable cover for cleaning operations. Fast accessibility to the main functional parts ( electronic card, fuses, thermostats...) only removing the frontal panels

Protection level IPX5.

### OPERATION SHALL BE BY:

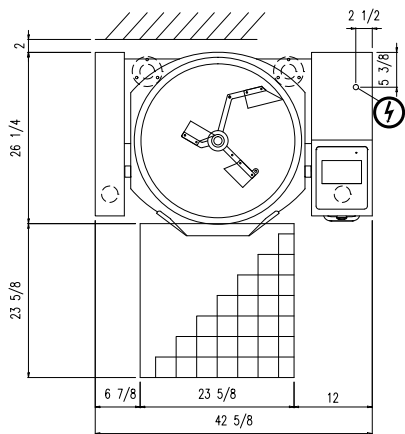
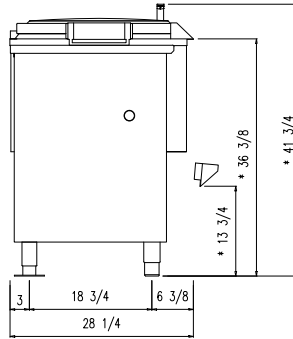
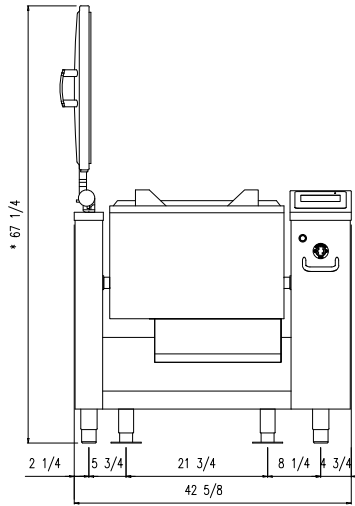
- Heating by means of armored elements in INCOLOY-800 alloy controlled by electronic board.
- Temperature control by system with two probes (product/bottom)
- Automatic mixing device with three arms and PTFE scrapers, completely removable to make cleaning easier, with regulation directly from the control panel according to the product to be processed.
- Electronic control by means of multifunctional keyboard with Touch Screen 7" and easy and clear messages.
- USB connection to download HACCP data, update the software and load cooking programs.
- Ability to interrogate the machine using communication protocol MODBUS over RS485 serial interface.
- Connection for power economizer

### OPTIONS and ACCESSORIES:

- Wheels D.100 inox UCBT.70 (CAMR0020)
- Strainer for UCBT.070 (PAF0602)
- Tri-clover sanitary fittings 2" (PAF2050)

Job \_\_\_\_\_  
Item# \_\_\_\_\_

Models:  UCBTE018V1



\* REG. 0 ; + 2 3/8"

MODEL	WEIGHT	MINIMUM CLEARANCE	
UCBTE018V1	198 (90)	SIDES	0" [0 mm]
		BACK	2" [51 mm]

**ELECTRICAL CHARACTERISTICS**

MODEL	AMPS PER LINE			
	PHASE	KW	208V	220-240V
UCBTE018V1	3	8.8	24.5	N/A
	3	8.8	N/A	21.2

**SERVICE CONNECTIONS**

- Field Wire Electrical Connection to be as specified on rating plate.
- COLD WATER: O.D. tubing at 25-50 PSI(170-345 kPa) (OPTIONAL)
- HOT WATER: O.D. tubing at 25-50 PSI(170-345 kPa). (OPTIONAL)

**INTENDED FOR COMMERCIAL USE ONLY.  
NOT FOR HOUSEHOLD USE.**



70 Oakdale Road, Toronto ON, Canada M3N 1V9  
(919) 762-1000 www.crownsteam.com