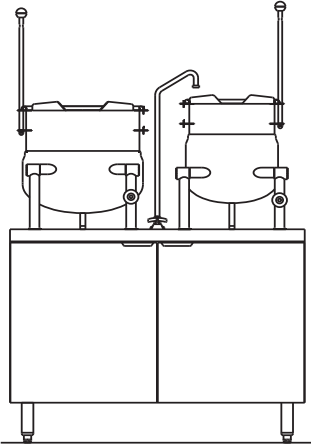




DIRECT STEAM KETTLES ON ELECTRIC CABINET BASE

Job
Item#



MODEL	CAPACITY
EMT-10-6	(1) 10 gallon (38 litre) and (1) 6 gallon (23 litre)

OPERATION SHALL BE BY:

Electrically heated steam boiler operating at 15 psi (103 kPa) and rated at 24 kW.

The boiler shall be equipped for operation on:

- 208 VAC, 1 phase, 50/60 Hz
- 208 VAC, 3 phase, 50/60 Hz
- 220 VAC, 1 phase, 50 Hz
- 220 VAC, 3 phase, 50/60 Hz
- 240 VAC, 1 phase, 50/60 Hz
- 240 VAC, 3 phase, 50/60 Hz

STANDARD FEATURES:

- Water Treatment System
- CSD-1 boiler controls
- Automatic boiler blowdown
- Split water line
- Adjustable flanged feet

OPTIONAL ITEMS AT EXTRA COST:

- 36 kW
- 42 kW
- 48 kW (N/A in 208 and 220 VAC)
- 380 VAC, 3 phase, 50/60 Hz
- 415 VAC, 3 phase, 50/60 Hz
- 480 VAC, 3 phase, 50/60 Hz
- 415/240 VAC, 3 phase, 50/60 Hz
- 380/220 VAC, 3 phase, 50/60 Hz
- 575 or 600 VAC, 3 Phase, 60 Hz (EBVS-3)
- Etched gallon markings
- Etched litre markings (GM-)
- Correctional package (LM-)

ACCESSORIES:

- One piece stainless steel lift off cover (C-).
- Lift-out perforated stainless steel basket (SSB-).
- Graduated measuring strip (CMS-)
- Steam take off kit (STOK)
- Water in "Y" strainer (Condenser feed)
- Pour lip strainer (TKS)

SPECIFICATIONS:

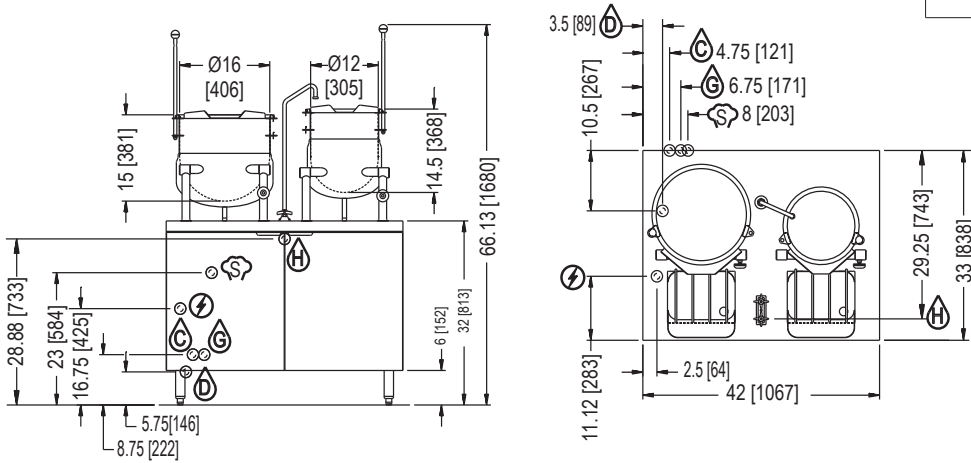
Shall be a Crown model EMT-10-6, consisting of two direct connected steam, tilting kettles, 10 gallon (23 litre) and 6 gallon (38 litre). A double wall kettle interior shall form a steam jacket around the lower 2/3 of the kettle. The bottom of the kettle shall be of hemispherical design for superior heat circulation. The kettle interior shall be of 316 stainless steel for high acid content products. The stainless steel mounting legs shall have the steam supply and condensate within the legs and the right leg fitted with a steam control valve for the kettle. Each kettle shall be fitted with a tilt handle and heat proof knob, allowing the kettles to be tilted forward 90° for complete emptying.

The kettles mounted on a cabinet base with full perimeter angle frame, reinforced counter, hot and cold water faucet with control valves, 3" (76 mm) deep sinks with drain and splash guard, nickel plating, boiler mountings, CSD-1 boiler controls, automatic boiler blowdown, split water line, hinged doors with magnetic catches, removable side panels and 6" (152 mm) stainless steel legs fitted with 4 adjustable flanged feet for securing to the floor, all #4 stainless steel exterior. Steam manifold canceled within cabinet fitted with steam trap and safety relief valve.

SEE REVERSE SIDE OF SPEC SHEET FOR WATER TREATMENT SYSTEM STATEMENTS



MODEL	SHIPPING WEIGHT	MIN. CLEARANCE
EMT-10-6	700 lbs. [317 kg.]	SIDES 0 [0 mm] BACK 0 [0 mm]



REAR FLANGED FOOT DETAIL
2 EQUALLY SPACED
Ø7/16" [11mm] HOLES
ON 2.5 [63] B.C.

NOTE: SPLASH GUARD NOT SHOWN IN FRONT VIEW.

IN [MM]

ELECTRICAL CHARACTERISTICS

MODEL	PHASE	kW	AMPS PER LINE					
			208V	220V	240V	380V	415V	480V
EMT-10-6	1	24	115.4	109.1	100	N/A	N/A	N/A
	3	24	66.6	63	57.7	36.5	33.4	28.9
	3	36	99.9	94.5	86.6	54.7	50.1	43.3
	3	42	116.6	110.2	101	63.8	58.4	50.5
	3	48	133.2	126	115.5	72.9	66.8	57.7

SERVICE CONNECTIONS

- ⚡ – ELECTRICAL CONNECTION: Field wiring electrical connection to be as specified on data plate.
- Ⓓ – DRAIN: 2" (51 mm) IPS piped to open floor drain. No Solid Connection.
- Ⓒ – COLD WATER: 3/8" (10 mm) O.D. tubing at 25-50 PSI(170-345 kPa).
- Ⓗ – HOT WATER: 3/8" (10 mm) O.D. tubing at 25-50 PSI(170-345 kPa).
- Ⓖ – GENERATOR WATER: 3/8" (10 mm) O.D. tubing at 25-50 PSI(170-345 kPa).
- Ⓔ – STEAM TAKE-OFF CONNECTION: 3/4" (19 mm) IPS optional to operate adjacent equipment.

WATER QUALITY STATEMENT

Water is the essential ingredient in steam equipment, water quality is the major factor affecting the performance of your appliance. Crown Steam Group offers a Comprehensive Water Treatment System which exceeds our minimum water requirements. Proof of installation and proper cartridges replacement is required for warranty coverage. Water supply to Crown Steam Group steamers must be within these guidelines.

- Total dissolved solids.....Less than 60 PPM
- Total alkalinityLess than 20 PPM
- Silica.....Less than 13 PPM
- ChlorineLess than 1.5 PPM
- pH Factor6.8 - 7.3

Water which does not meet these standards should be treated with the installation of Middleby's Water Treatment System. Call 919-762-1000 if you have questions concerning your water meeting these parameters.

*Failure or malfunction of this appliance due to poor water quality is not covered under warranty.

Reference www.crownsteamgroup.com for complete warranty details and instructions.

**INTENDED FOR COMMERCIAL USE ONLY.
NOT FOR HOUSEHOLD USE.**

70 Oakdale Road, Toronto ON, Canada M3N 1V9
(919) 762-1000 www.crownsteamgroup.com

