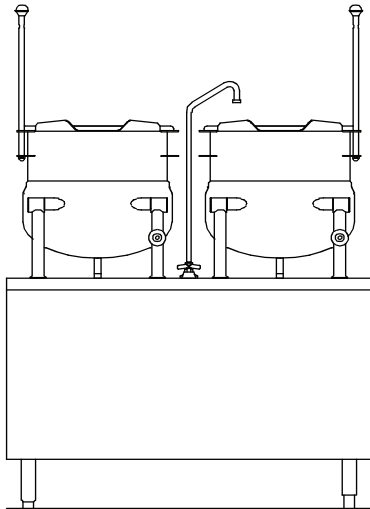




DIRECT STEAM KETTLES ON CABINET BASE

Job _____
Item# _____



MODEL	CAPACITY
DMT-10-10	(2) 10 gallon (38 litre)

SPECIFICATIONS:

Shall be a Crown model DMT-10-10, consisting of two direct connected steam tilting kettles mounted on a cabinet base of modular design to match other CROWN cooking equipment.

Each kettle shall be ASME code stamped and National Board registered. A double wall kettle interior shall form a steam jacket around the lower 2/3 of the kettle. The bottom of the kettle shall be of hemispherical design for superior heat circulation. The liner shall be of 316 stainless steel for high acid content products. The stainless steel mounting legs shall allow the kettle to be tilted forward past 90° for complete emptying and conceal the steam supply and condensate return connections, the right leg shall be fitted with a steam control valve. Each kettle shall be fitted with a tilt handle and heat resistant knob.

The cabinet shall be constructed with full perimeter painted angle frame, reinforced counter, #4 finish stainless steel exterior with removable side panels and hinged doors with magnetic latches, mounted on 6" (152 mm) stainless steel legs fitted with 4 adjustable flanged feet for securing to the floor, a hot and cold water faucet with control valves, 3" (76 mm) deep sinks with drain and splash guard. Concealed plumbing within the cabinet shall include a steam supply manifold with safety relief valve and a condensate return manifold and a steam trap for each kettle.

OPERATION SHALL BE BY:

Direct steam at a minimum of 5 psi (34 kPa) and a maximum of 45 psi (310 kPa) 1/4 BHP required.

STANDARD FEATURES:

- ✓ Type 316 stainless steel liner.
- ✓ Steam control valve.

OPTIONAL ITEMS AT EXTRA COST:

- Etched gallon markings (GM-).
- Etched litre markings (LM-).
- Correctional package
- Pressure reducing valve (PRV-2).
- Stainless steel back panel (SSB-42).
- Stainless steel frame (SSF-42).

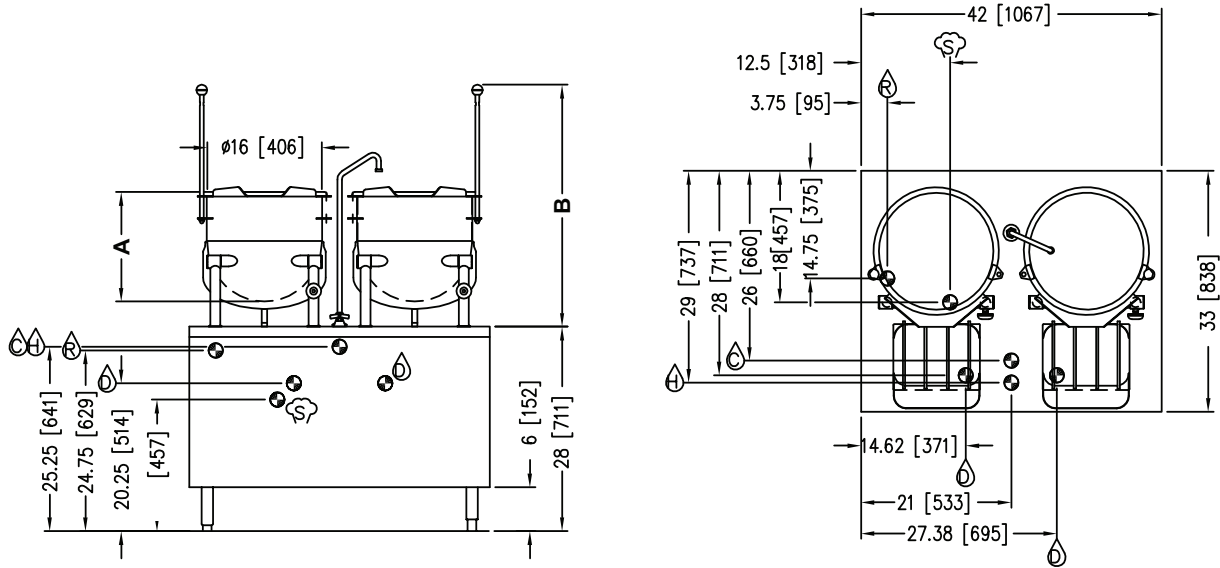
ACCESSORIES:

- One piece stainless steel lift off cover (C-).
- Lift-out perforated stainless steel basket (SSB-).
- Contoured measuring strip (CMS-).
- Ball float trap (BFT).
- Pour lip strainer (TKS-)



Models: DMT-10-10

MODEL	A	B	SHIPPING WEIGHT	MIN. CLEARANCE
DMT-10-10	15 [381 mm]	33.2 [843 mm]	390 lbs. [177 kg.]	SIDES 0 [0 mm] BACK 0 [0 mm]



NOTE: SPLASH GUARD NOT SHOWN IN FRONT VIEW.

IN [MM]

SERVICE CONNECTIONS

- STEAM SUPPLY: 3/4" (19 mm) IPS for incoming steam at 5-45 PSI(34-310 kPa).*
- CONDENSATE RETURN: 1/2" (13 mm)
- COLD WATER: 3/8" (10 mm) O.D. tubing for cold water to faucet, to fill kettle.
- HOT WATER: 3/8" (10 mm) O.D. tubing for hot water to faucet, to fill kettle.
- SINK DRAIN: 1-1/8" (29 mm) O.D. tubing.

* Pressure reducing valve is required if incoming pressure exceeds 45 PSI(310 kPa).

**INTENDED FOR COMMERCIAL USE ONLY.
NOT FOR HOUSEHOLD USE.**



70 Oakdale Road, Toronto ON, Canada M3N 1V9
(919) 762-1000 www.crownsteamgroup.com