



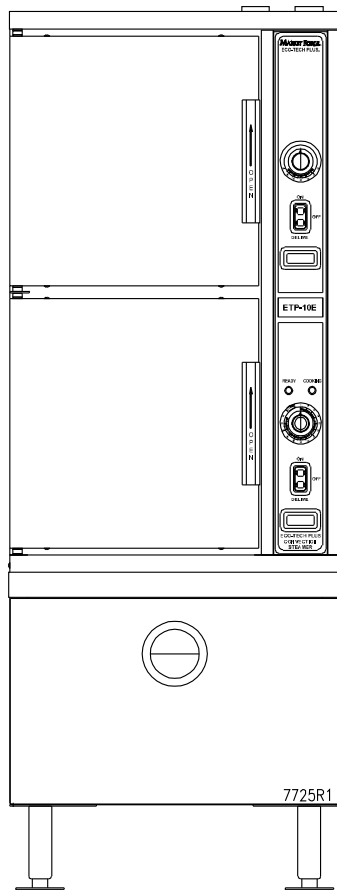
# MARKET FORGE

**IMPORTANT FOR FUTURE REFERENCE**  
 Please complete this information and retain this manual for the life of the equipment:

Model #: \_\_\_\_\_  
 Serial #: \_\_\_\_\_  
 Date Purchased: \_\_\_\_\_

## PARTS LIST


97 C!H97 <# 'D@ G  
 9`YWfjW7 cbj YWjcb`GhYUa Yf  
 9 HD!%\$9



 **WARNING**

Improper installation, adjustment, alteration, service or maintenance can cause property damage, injury or death. Read the installation, operating and maintenance instructions thoroughly before installing or servicing this equipment.

### CROWN FOOD SERVICE EQUIPMENT

 A Middleby Company

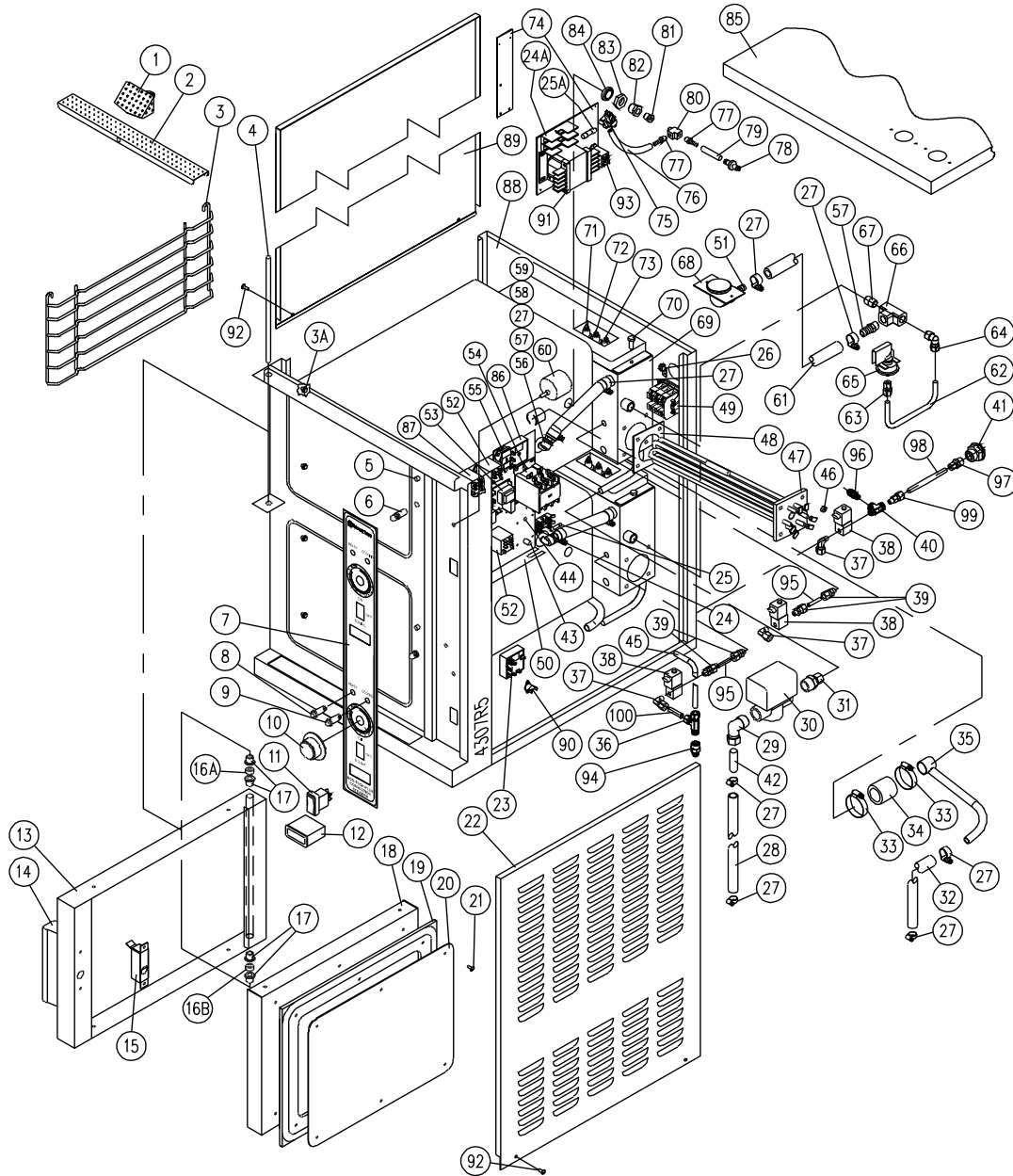
70 Oakdale Road, Downsview (Toronto) Ontario, Canada, M3N 1V9  
 Telephone: 919-762-1000      www.crownsteamgroup.com

Printed in Canada



PARTS LIST, ELECTRIC CONVECTION STEAMER, MODEL ETP-10E

FIGURE 1



PARTS LIST, ELECTRIC CONVECTION STEAMER, MODEL ETP-10E

**FIGURE 1**

<u>ITEM</u>	<u>PART NO.</u>	<u>DESCRIPTION</u>	<u>QTY.</u>
1	5224-2	Compartment Strainer	2
2	2283-1	Drip Trough Strainer [8-5023]	1
3	2681-3	Pan Rack	4
3A	4721-1	Rack Hanger Pin Assembly	8
4	3977-2	Hinge Rod	1
5	3775-1	Push Rod Assembly c/w Retaining Ring [9-3336]	2
*	9208-1	Limit Switch [9-3213]	2
6	3498-1	Striker [8-5021]	2
7	7713-1	Control Panel Decal	1
8	4753-1	Pilot Light, Green, 250V [4-PL04-1]	2
9	4753-4	Pilot Light, Red, 250V [4-PL07-1]	2
10	9431-1	Knob	2
11	9124-1	Rocker Switch DPDT	2
12	9432-1	Temperature Indicator	2
*	9433-1	Grommet	2
13	2840-1	Outer Door Shell [8-5060-8]	2
14	3903-2	Door Handle Assembly	2
15	3900-1	Latch Assembly [8-5068-9]	2
16A	5716-1	Door Spacer, Upper	2
16B	5717-1	Door Spacer, Lower	2
17	3506-1	Door Bushing [8-5078]	8
18	2841-1	Door Panel [8-5065-8]	2
19	2669-1	Door Gasket [8-5063-8]	2
20	2842-1	Gasket Retaining Plate [8-5064-8]	2
21	9423-1	Special Screw	12

PARTS LIST, ELECTRIC CONVECTION STEAMER, MODEL ETP-10E

**FIGURE 1**

<b><u>ITEM</u></b>	<b><u>PART NO.</u></b>	<b><u>DESCRIPTION</u></b>	<b><u>QTY.</u></b>	
22	2280-1	Removable Panel, RH	1	
23	9224-2	Time Delay Relay, 230V, Cooling	1	
**	24	9068-1	Fuse Holder, 25A, 300V (208 - 240V)	4
		9068-1	Fuse Holder, 25A, 300V (220/380V, 240/465V)	2
24A	9002-1	Fuse Holder, 30A, 600V (380-600V)	4	
**	25	9092-2	Fuse, 2 Amp., 250V (208-240V)	4
		9092-2	Fuse, 2 Amp., 250V (220/380V, 240/465V)	2
25A	9001-2	Fuse, 1/2 Amp., 600V (380-600V)	4	
26	4190-1	Ground Lug [4-70EU]	1	
27	9017-2	Gear Clamp	20	
28	9219-300	Hose, Upper Generator, Drain	1	
	9219-120	Hose, Lower Generator, Drain	1	
29	6959-7	Elbow 90°, Brass [3-6910E]	2	
30	9360-1	Solenoid Valve,240V,Blowdown [3-S543-1]	2	
31	9768-15	Brass Connector [3-688E]	2	
**	32	9219-320	Upper Tubing, Silicone, Upper Cavity Drain	1
		9219-120	Lower Tubing, Silicone, Lower Cavity Drain	1
33	9017-5	Hose Clamp	4	
34	9230-016	Drain Hose	2	
35	7714-1	Drain Tube Assembly	2	
36	9872-3	Brass Tee [3-716B]	1	
37	3659-3	Brass Elbow [3-696A]	3	
38	5162-2	Solenoid Valve 240V	3	
39	9768-3	Brass Connector [3-684A]	4	
40	9844-1	Forged Street Tee [3-107A]	1	

PARTS LIST, ELECTRIC CONVECTION STEAMER, MODEL ETP-10E

**FIGURE 1**

<b><u>ITEM</u></b>	<b><u>PART NO.</u></b>	<b><u>DESCRIPTION</u></b>	<b><u>QTY.</u></b>	
41	9117-1	Terminal Bolt	1	
42	9705-40-020	Tubing, Copper	2	
43	9126-1	Stand-by Thermostat	2	
44	9128-1	High Limit Safety Thermostat	2	
45	6317-1	Copper Tube	1	
46	9030-1	Hex Nut	8	
**	47	8-5050	Heating Element, 10 kW, (208V)	2
		8-5056	Heating Element, 10 kW (220V, 380/220V)	2
		8-5051	Heating Element, 10 kW (240V, 415/240V)	2
		8-5052	Heating Element, 10 kW (480/277V)	2
		8-5347-1	Heating Element, 10 kW (600/347V)	2
48	8-5092	Element Gasket	2	
**	49	6161-3	Modular Terminal Assy, 3 Pole	1
		Includes Following Parts:	1	
		9374-1	Modular Terminal, Grey	3
		9375-1	End Plate	1
		9369-1	End Clamp	2
		9368-079	Mounting Rail	1
**	49	6161-4N	Modular Terminal Assy, 3 Pole w/Neutral	1
		Includes Following Parts:		
		9374-1	Modular Terminal, Grey	3
		9374-2	Modular Terminal, Blue	1
		9375-1	End Plate	1
		9369-1	End Clamp	2
		9368-098	Mounting Rail	1

PARTS LIST, ELECTRIC CONVECTION STEAMER, MODEL ETP-10E

**FIGURE 1**

<b><u>ITEM</u></b>	<b><u>PART NO.</u></b>	<b><u>DESCRIPTION</u></b>	<b><u>QTY.</u></b>	
	50	7738-1	Component Mounting Board	2
	51	9053-9	Brass Hose Coupler	2
	52	9332-2	Relay, DPDT, 240V	4
**	53	4038-3	Level Control Board, 10K OHM 208/240 VAC	2
		5230-2	Level Control Board, 1M, OHM, 208/240 VAC	4
	54	9348-208	Contactora, 208V - 240V	2
	55	4742-1	Buzzer, 240V	2
	56	9665-5	Brass Street Elbow [3-116CB]	4
	57	9053-7	Brass Hose Coupler	6
	58	9219-100	Silicone Blue Hose, RH	2
	59	9219-094	Silicone Blue Hose, LH	2
	60	9434-1	Timer, 60 Minutes, 240V	2
*		9109-1	Rotary Shaft Seal	2
**	61	9219-210	Hose, Upper Delime	1
		9219-370	Hose, Lower Delime	1
	62	5494-1	Pressure Switch Tube	2
	63	9814-6	Connector [3-666C]	2
	64	9659-13	Brass Elbow, 90° [3-696C]	2
	65	5445-1	Pressure Switch, Safety 5 PSI	2
	66	9791-1	Brass Extruded Tee [3-X101C]	2
	67	9841-2	Brass Close Nipple [3-112C]	2
	68	4305-1	Delime Port Assembly	2
		Including the following parts:		
		6318-1	Delime Port Plug	2
		9207-14	"O" Ring [2-218R]	2

PARTS LIST, ELECTRIC CONVECTION STEAMER, MODEL ETP-10E

**FIGURE 1**

<u>ITEM</u>	<u>PART NO.</u>	<u>DESCRIPTION</u>	<u>QTY.</u>	
69	6947-1	Generator Tank	2	
	2906-1	Tank Cover	2	
	4226-1	Tank Cover Gasket [9-3214]	2	
70	M50S-51618-1	Hex Head Bolt	4	
71	3738-3	Probe - Low Level Cut-Off	2	
72	3738-2	Probe - Low Level	2	
73	3738-16	Probe, High Level [4-LLP2]	2	
**	74	5703-1	Pressure Switch Bracket (208-240V)	2
		7728-1	Pressure Switch/Transformer Bracket (480-600V)	2
75	9247-1	Pressure Switch, Operating	2	
76	9222-080	Tubing, Silicone, 1/4" I.D.	2	
77	9053-8	Brass Hose Barb	4	
78	9447-1	Vacuum Breaker	2	
79	9222-020	Tubing, Silicone, 1/4" I.D.	2	
80	9877-1	Brass Extruded Street Tee [3-X107A]	2	
81	9770-1	Brass Bushing [3-110BA]	2	
82	9770-4	Brass Bushing [3-110DB]	2	
83	9878-1	Brass Lock Nut [3-111D]	2	
84	9435-1	Sealing Nut	2	
85	7726-1	Top Panel	1	
86	9242-2	Time Delay Relay, 230V, Operating	2	
87	9332-2	Relay DPDT, 240V, Single Pole in Use	2	
88	8162-1	Back Panel	1	
89	2280-7	Removable Panel, LH	1	
90	9448-1	Hold Thermostat, 175°F	2	

PARTS LIST, ELECTRIC CONVECTION STEAMER, MODEL ETP-10E

**FIGURE 1**

<b><u>ITEM</u></b>	<b><u>PART NO.</u></b>	<b><u>DESCRIPTION</u></b>	<b><u>QTY.</u></b>	
**	91	4-T251	Transformer, 380/415-240V, 100VA	1
		4-T255	Transformer, 480-240V, 100VA	1
		4-T260	Transformer, 600-240V, 100VA	1
	92	M33S-1032-12	Truss HD Screw	2
	93	9344-2	12 Amp Power Relay, DPDT, 220V	2
	94	9879-1	Brass Connector [3-465B]	1
	95	9705-51-013	Tube, SS	2
	96	9880-1	Brass Connector Flare [3-485A]	1
	97	9768-9	Brass Connector [3-686C]	1
	98	9705-39-036	Copper Tube	1
	99	9768-7	Brass Connector [3-686A]	1
	100	9705-39-013	Copper Tube	1

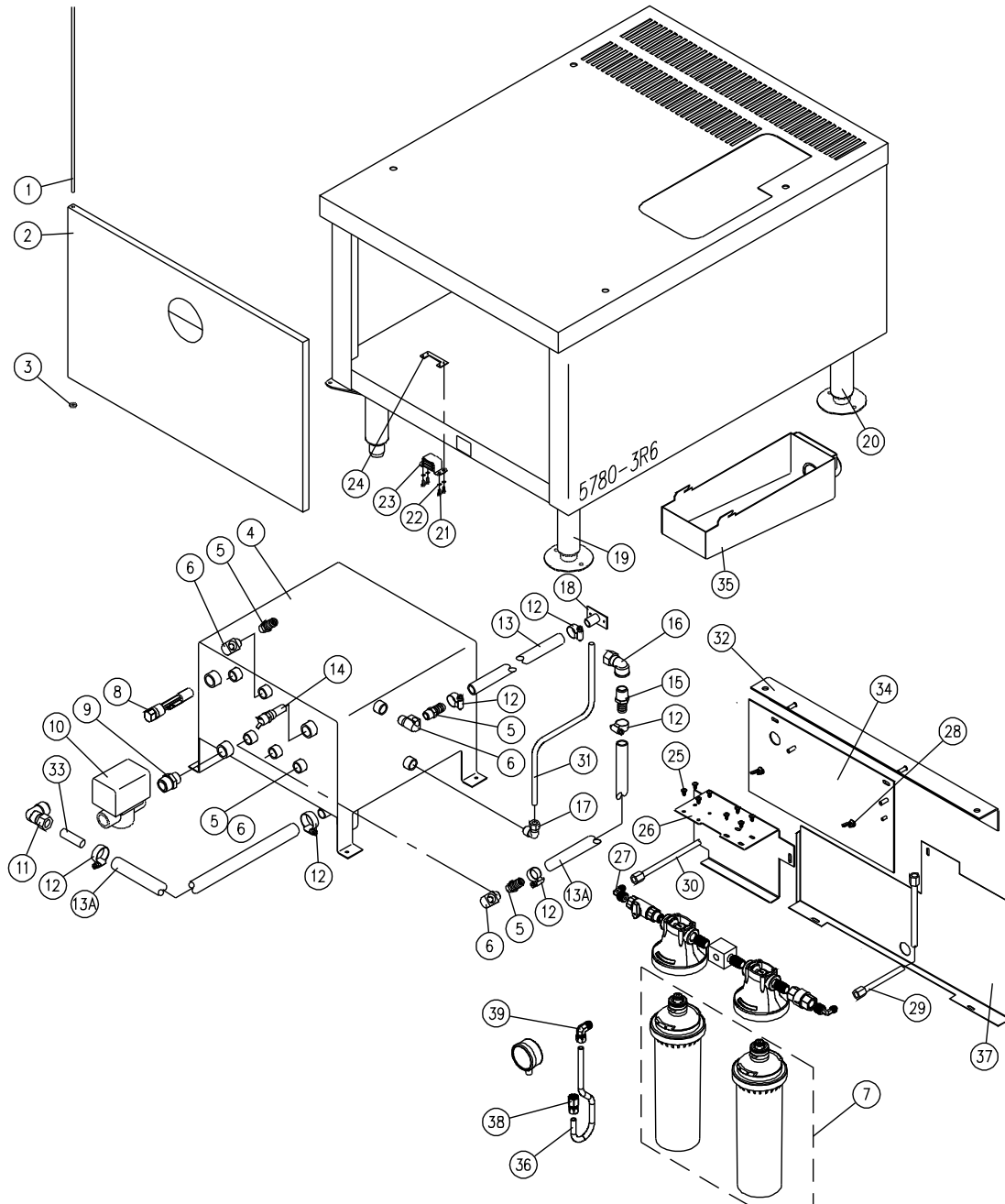
\* NOT SHOWN.

\*\* SELECT AS REQUIRED.



PARTS LIST, ELECTRIC CONVECTION STEAMER, MODEL ETP-10E

**FIGURE 2**



PARTS LIST, ELECTRIC CONVECTION STEAMER, MODEL ETP-10E

**FIGURE 2**

<u>ITEM</u>	<u>CROWN PART NO.</u>	<u>DESCRIPTION</u>	<u>QTY.</u>	
1.	4780-2	Hinge Rod	1	
2.	5772-1	Cabinet Door Assembly	1	
3.	F01S-316	Flat Washer	1	
4.	8755-1	Tempering Tank	1	
5.	9053-7	Brass Hose Barb	6	
6.	9876-1	Brass Extruded, Street Elbow [3-X115C]	6	
7.	71558241	Cartridge Reordering Kit	1	
8.	9436-1	Float Switch	1	
9.	9843-6	Hex Nipple [3-122ED]	1	
10.	9360-1	Drain Valve, Tank, 240V [3-S543-1]	1	
11.	9659-7	Brass Elbow [3-6910E]	1	
12.	9017-3	Hose Clamp	8	
13.	9219-140	Hose, Vent	1	
13A	9219-140	Hose, Drain	2	
14.	9437-1	Tank Thermostat, 130°F	1	
15.	9053-9	Brass Hose Barb	1	
16.	9740-15	Brass Elbow [3-7010D]	1	
17.	9659-13	Brass Elbow [3-696C]	1	
18.	5773-1	Vent	1	
**	19.	5379-1	Adjustable Flange Foot	2
*		5381-1	Swivel Caster, 5", c/w Brake, Optional	2
**	20.	5379-1	Adjustable Flanged Foot	2
*		5382-1	Swivel Caster, 5", Optional	2

PARTS LIST, ELECTRIC CONVECTION STEAMER, MODEL ETP-10E

<u>ITEM</u>	<u>CROWN PART NO.</u>	<u>DESCRIPTION</u>	<u>QTY.</u>
21.	M93X-632-38	Pan Slot Head Screws	4
22.	S01S-6	Spring Lock Washer	4
23.	4777-1	Magnetic Catch	1
24.	4775-1	Magnetic Catch Plate	1
25.	AB92S-10-12	Sheet Metal Screw	8
26.	8821-1	Head Assembly Bracket	1
27.	9413-516-38	Brass Elbow, Flare	2
28.	9842-1	Wing Nut, SS	2
29.	9441-1	Flexible Hose, Water Out	1
30.	9441-2	Flexible Hose, Water In	1
31.	6275-1	Tube, Copper, Water Inlet	1
32.	7845-1	Mounting Bracket	1
33.	9705-40-020	Tubing, Copper	1
34.	9823-1	Mounting Plate Assembly	1
35.	7729-1	Drain Collector	1
36.	9828-1	Gauge Tube, Copper	1
37.	7844-2	Lower Cabinet Shield	1
38.	9814-5	Brass Connector	1
39.	9659-12	Brass Elbow	1