



IMPORTANT FOR FUTURE REFERENCE

Please complete this information and retain this manual for the life of the equipment:

Model #: _____

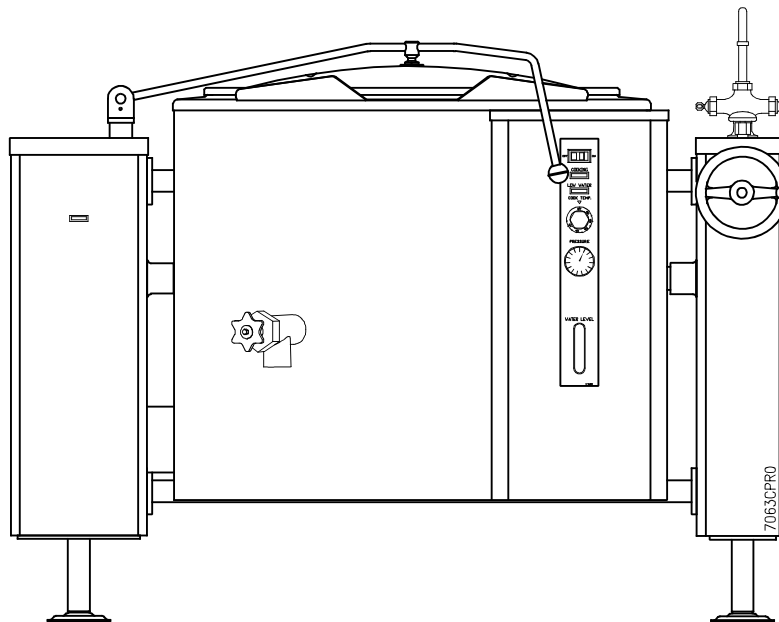
Serial #: _____

Date Purchased: _____

PARTS LIST

Gas Fired Full Jacket Steam Tilting KettlY

; @H(\$:



WARNING

Improper installation, adjustment, alteration, service or maintenance can cause property damage, injury or death. Read the installation, operating and maintenance instructions thoroughly before installing or servicing this equipment.

CROWN FOOD SERVICE EQUIPMENT

Division of Middleby Canada Company Inc.

70 Oakdale Road, Downsview (Toronto) Ontario, Canada, M3N 1V9

Telephone: 919-762-1000

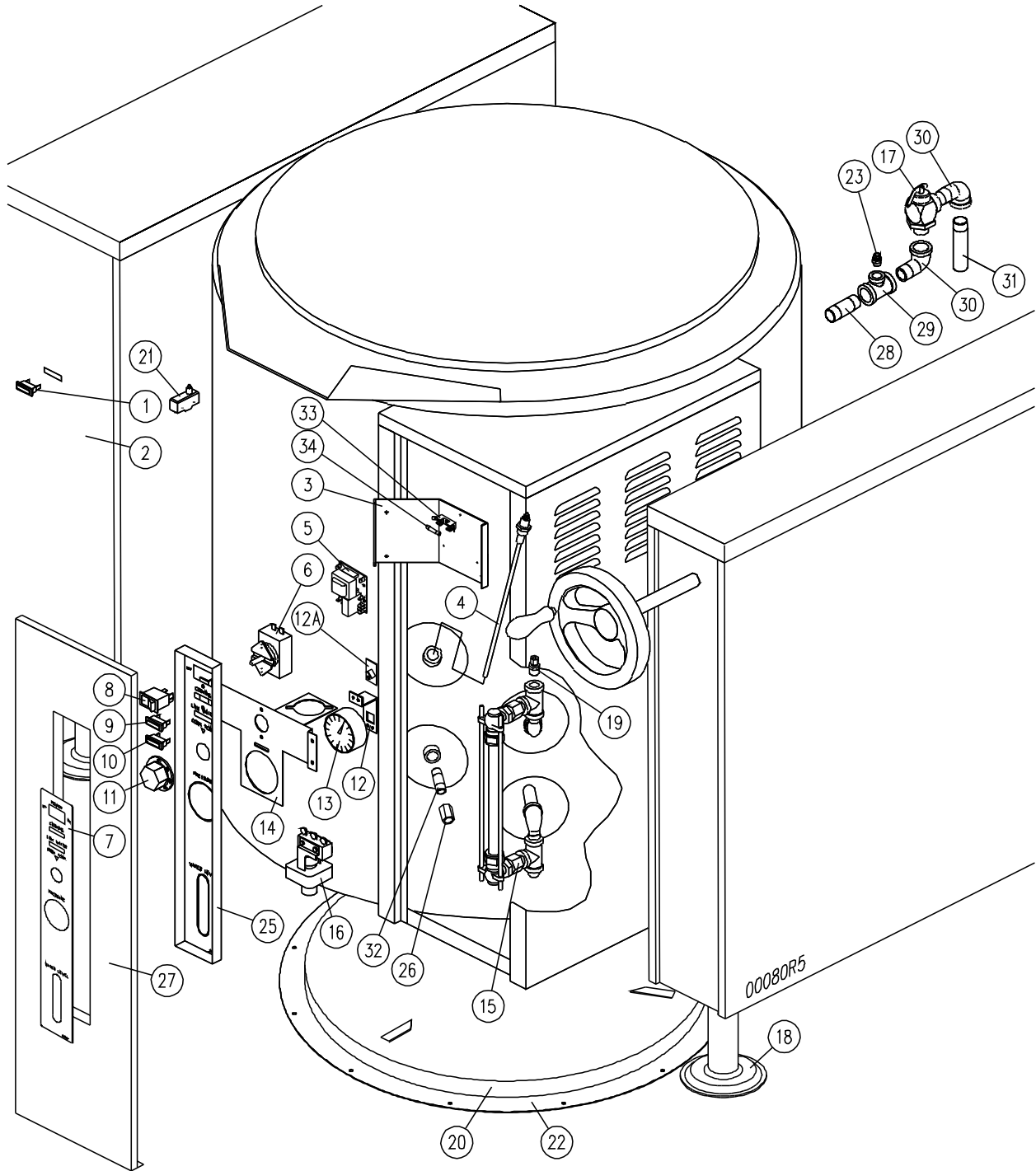
www.crownsteamgroup.com

Printed in Canada



PARTS LIST, GAS TILTING KETTLE, MODEL GLT-40F

FIGURE 1



PARTS LIST, GAS TILTING KETTLE, MODEL GLT-40F

FIGURE 1

<u>ITEM</u>	<u>PART NO.</u>	<u>DESCRIPTION</u>	<u>QUANTITY</u>	
1.	4996-6	Pilot Light - Green 24V	1	
2.	7272-1	Instruction Label	1	
3.	4524-1	Mounting Bracket, Low Water Cut-Off	1	
4.	3738-14	Probe, 9-1/4"	1	
5.	3974-1	Low Water Cut Off Control	1	
6.	116-6562	Thermostat	1	
7.	7002-1	Poly Panel	1	
8.	9130-2	Power Switch	1	
9.	4996-2	Pilot Light - Red, 125V	1	
10.	4996-3	Pilot Light - Amber, 125V	1	
11.	4-TK05	Dial	1	
12.	9-3240	Pressure Gauge Bracket	1	
12A	5845-1	Pressure Gauge Clip	1	
13.	4967-1	Pressure Gauge	1	
**	14.	9-3239	Controls Bracket	1
	15.	5285-1	Sight Glass Assembly	1
		9108-6	Glass, 5/8 x 8" Long	1
		8-6016	Rods	2
		8-6018	Washer - Rubber	2
		8-6019	Washer - Brass	2
16.	116-6490	Pressure Switch	1	
17.	3-SRV9-1	Relief Valve	1	
18.	8-1308	Flanged Foot	2	
19.	3-T684C	Fitting, Brass, 1/4C x 3/8 MPT	1	
20.	8328-3	Insulation Bottom Cover	1	

PARTS LIST, GAS TILTING KETTLE, MODEL GLT-40F

			<u>FIGURE 1</u>	
<u>ITEM</u>	<u>PART NO.</u>	<u>DESCRIPTION</u>	<u>QUANTITY</u>	
21.	4-M605	Interlock Switch	1	
22.	8329-3	Bottom Cover with Insulation	1	
23.	3-AV00	Air Vent	1	
* **	24.	2976-3	Combustion Chamber	1
	25.	7790-1	Recessed Control Panel	1
* **	26.	3-103C	Brass Coupling, 3/8 NPT	1
	27.	7819-1	Compartment Panel	1
	28.	9010-034	Nipple, 3/4" x 3-1/2" Lg.	1
	29.	9013-6P	Tee, Black Iron, 3/4" x 3/4" x 3/8" NPT	1
	30.	9012-4P	Street Elbow 90°, Black Iron, 3/4 NPT	2
	31.	5184-1	Extension, Relief Valve	1
	32.	3-113C112	Brass Nipple, 3/8" x 1-1/2" Lg.	1
	33.	9068-1	Fuse Holder	1
	34.	9092-3	Fuse, 3 Amps, 250V	1

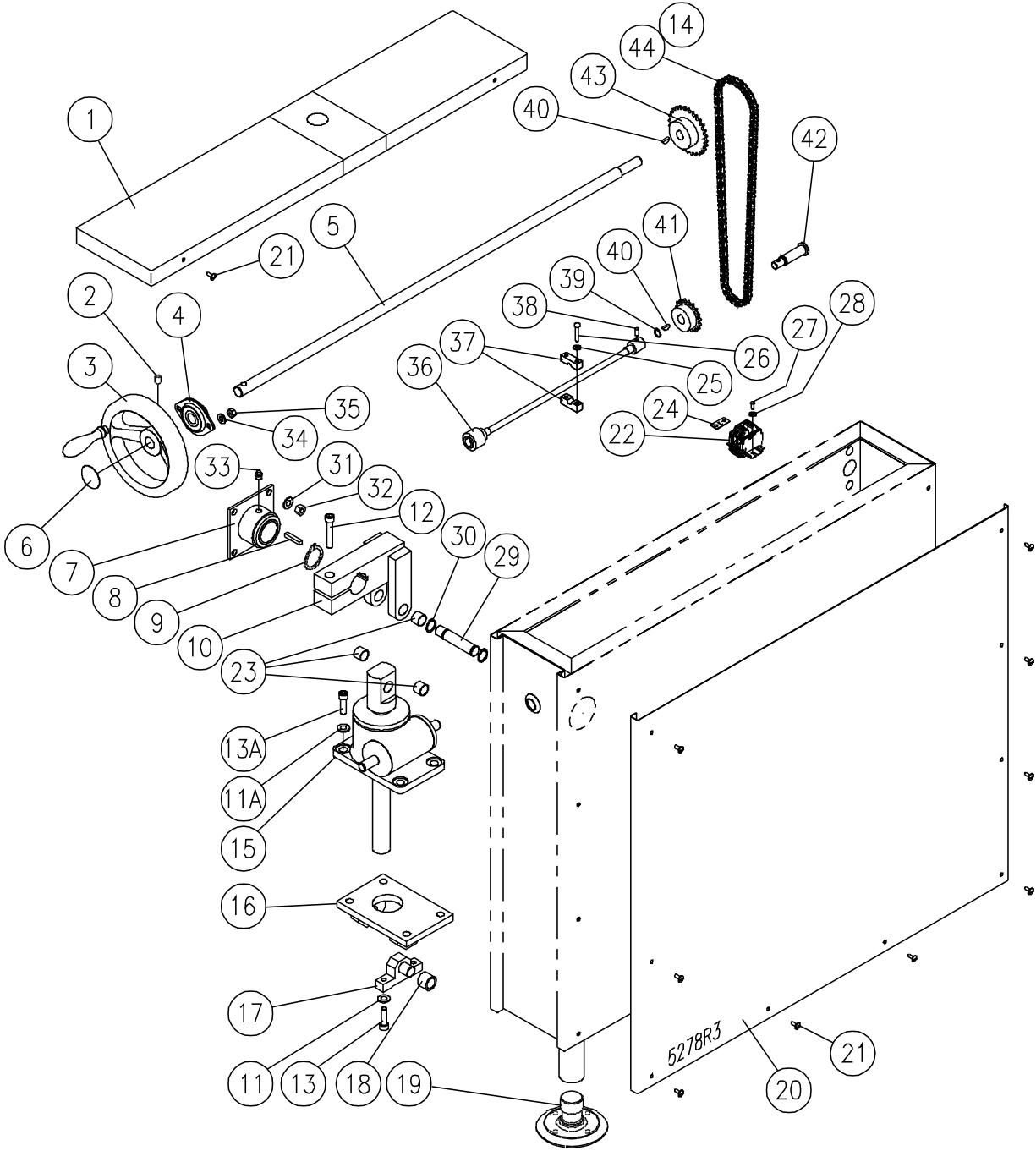
* NOT SHOWN.

** SELECT AS REQUIRED.

PARTS LIST, GAS TILTING KETTLE, MODEL GLT-40F

TILT CONSOLE AND PARTS

FIGURE 2



PARTS LIST, GAS TILTING KETTLE, MODEL GLT-40F

FIGURE 2

<u>ITEM</u>	<u>PART NO.</u>	<u>DESCRIPTION</u>	<u>QUANTITY</u>
** 1.	6704-1	Console Cover	1
*	4015-3	Console Cover Assembly (Faucet Mount), OPTIONAL	1
*	3864-1	Spacer (Faucet Mount), OPTIONAL	1
2.	9061-5	Set Screw	1
3.	8-2054	Handwheel	1
4.	5311-1	Front Bearing	1
5.	6722-1	Tilt Shaft	1
6.	5608-1	Tilt Label	1
7.	2460-1	Trunnion Housing Assembly	1
8.	6321-1	Key	1
9.	1-R315	Retaining Ring	1
10.	1348-1	Arm	1
11	F01X-38	Flat Washer, 3/8	4
11A	F01X-12	Flat Washer, 1/2	4
12.	M68P-3816-2	Hex Socket HD Screw, 3/8 - 16 x 2	1
13.	M68P-3816-1	Hex Socket HD Screw, 3/8 - 16 x 1	4
13A.	M68P-1213-114	Hex Socket HD Screw, 1/2-13 x 1-1/4	4
14.	5315-2	Chain Link	1
15.	7842-1	Screw Jack	1
16.	7841-1	Base Assembly	1
17.	6719-1	Base Bracket Assembly	1
18.	5310-1	Bearing	2
19.	8-1308	Adjustable Foot	2

PARTS LIST, GAS TILTING KETTLE, MODEL GLT-40F

FIGURE 2

<u>ITEM</u>	<u>PART NO.</u>	<u>DESCRIPTION</u>	<u>QUANTITY</u>
20.	0680-2	Side Panel	1
21.	M33S-1032-12	Truss HD Slot Screw, 10 - 32 x 1/2	10
22.	9390-2	Terminal Block Assembly, 2 Poles	1
		Includes the following parts:	
	9391-1	Modular Terminal	2
	9392-1	End Plate	1
	9393-1	End Clamp	2
	9394-053	Mounting Rail, 53 mm	1
23.	9209-1815	Bushing	4
24.	4188-1	Earth ID Tag	1
25.	F01X-10	Flat Washer #10	2
26.	M92X-1032-114	Pan HD Screw, 10 - 32 x 1-1/4	2
27.	M13X-832-14	RD HD Screw, 8 - 32 x 1/4	2
28.	E01X-8	External Tooth Washer # 8	2
29.	5761-1	Pin, Rod End of Screw Jack	1
30.	9174-18	Retaining Ring, External, 18 mm	2
31.	S01X-38	Lock Washer, 3/8	4
32.	9029-3	Hex Nut, 3/8 - 16	4
33.	4898-1	Grease Nipple, 1/8 NPT	1
34.	F01X-516	Flat Washer, 5/16	2
35.	9029-2	Hex Nut, 5/16 - 18	2
36.	6727-1	Flexible Shaft Assembly	1
37.	5316-1	Nylon Shaft Guide	2
38.	9075-3	Set Screw, 1/4 - 28 x 3/8	1

PARTS LIST, GAS TILTING KETTLE, MODEL GLT-40F

FIGURE 2

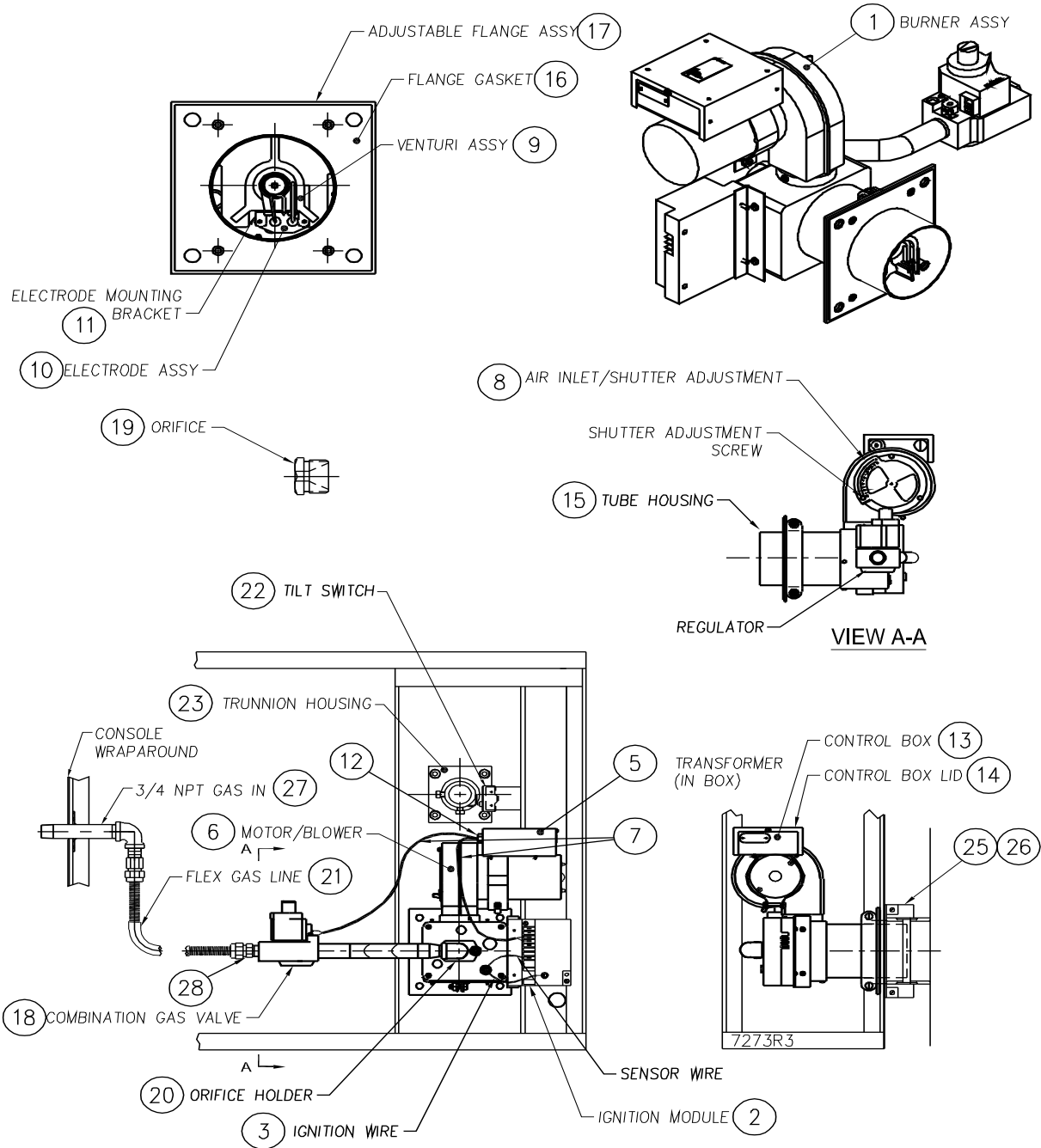
<u>ITEM</u>	<u>PART NO.</u>	<u>DESCRIPTION</u>	<u>QUANTITY</u>
39.	1-R362Z	External Retaining Ring	1
40.	5312-1	Key	2
41.	5313-2	Sprocket	1
42.	5306-1	Output Shaft	1
43.	5313-1	Sprocket	1
44.	5315-1	Chain	1
* 45.	4327-1	Single Faucet, 18", OPTIONAL	1
* 45.	6267-1	Double Faucet, 18", OPTIONAL	1

* NOT SHOWN.

** SELECT AS REQUIRED.

PARTS LIST, GAS TILTING KETTLE, MODEL GLT-40F

FIGURE 3



PARTS LIST, GAS TILTING KETTLE, MODEL GLT-40F

FIGURE 3
QUANTITY

<u>ITEM</u>	<u>PART NO.</u>	<u>DESCRIPTION</u>	<u>QUANTITY</u>	
**	1.	9134-7	Complete Burner Assembly, Natural Gas	1
		9134-23	Complete Burner Assembly, LP Gas	1
	2.	3876-2	DSI Module	1
	3.	9141-1	Ignition Wire 18"	1
*	4.	4-T253	Transformer, 220-240/120V, 200VA, 50/60 Hz, (Units rated 220-240V only)	
	5.	3878-1	Transformer, 120/24V, 50/60, 30 VA	1
	6.	9137-1	Motor/Blower, 115V/50/60 Hz	1
	7.	9164-1	Control/Ignition Module Wire Harness	1
	8.	9140-1	Air Shutter Assembly	1
	9.	9150-1	Venturi Assembly	1
	10.	9138-1	Electrode Assembly	1
	11.	9151-1	Electrode Mounting Bracket	1
	12.	9153-1	Adaptor Bushing, 7/8"	1
	13.	9154-1	Control Box with Strap	1
	14.	9155-1	Control Box Lid	1
	15.	9156-1	Tube/Housing, 6"	1
	16.	9157-1	Flange Gasket, 6-1/2" Square	1
	17.	9139-1	Adj. Flange Assembly, 6-1/2" Square	1
	18.	5449-2	Gas Valve, (Natural/LP)	1
**	19.	9136-7	Orifice #7, Natural Gas	1
		9136-23	Orifice #23, LP Gas	1
	20.	9149-1	Orifice Holder	1
	21.	9026-18	Gas Flex Tube	1

PARTS LIST, GAS TILTING KETTLE, MODEL GLT-40F

				<u>FIGURE 3</u>
<u>ITEM</u>	<u>PART NO.</u>	<u>DESCRIPTION</u>	<u>QUANTITY</u>	
22.	4-M605	Interlock Switch	1	
23.	2460-1	Trunnion Housing Assembly	1	
* **	24.	2945-1	Console Cover, Kettles without Covers	1
		2945-2	Console Cover, Kettles with Covers	1
25.	2443-1	Console Nozzle Assembly	1	
26.	2458-1	Nozzle Cover	1	
27.	6729-1	Gas Supply Pipe Assembly	1	
28.	9163-1	Hex Bushing, 1/2 x 3/4	1	
* **	29.	9002-1	Fuse Holder (220-240V, 50 Hz Units)	1
		9002-1	Fuse Holder (240V, 60 Hz Units)	2
* **	30.	9001-7	Fuse, 2A, 600V (220 - 240V, 50 Hz Units)	1
		9001-7	Fuse, 2A, 600V (240V, 60 Hz Units)	2

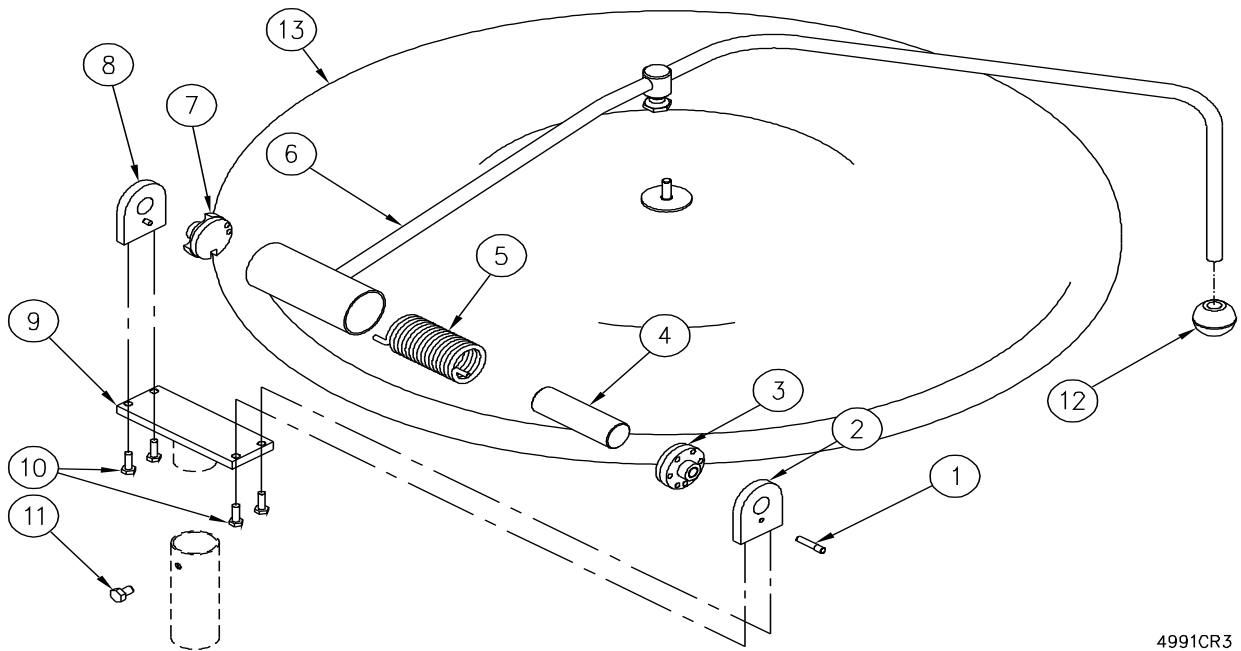
* NOT SHOWN.

** SELECT AS REQUIRED.

PARTS LIST, GAS TILTING KETTLE, MODEL GLT-40F

FIGURE 4

SPRING ASSIST HINGE ASSEMBLY



4991CR3

PARTS LIST, GAS TILTING KETTLE, MODEL GLT-40F

FIGURE 4

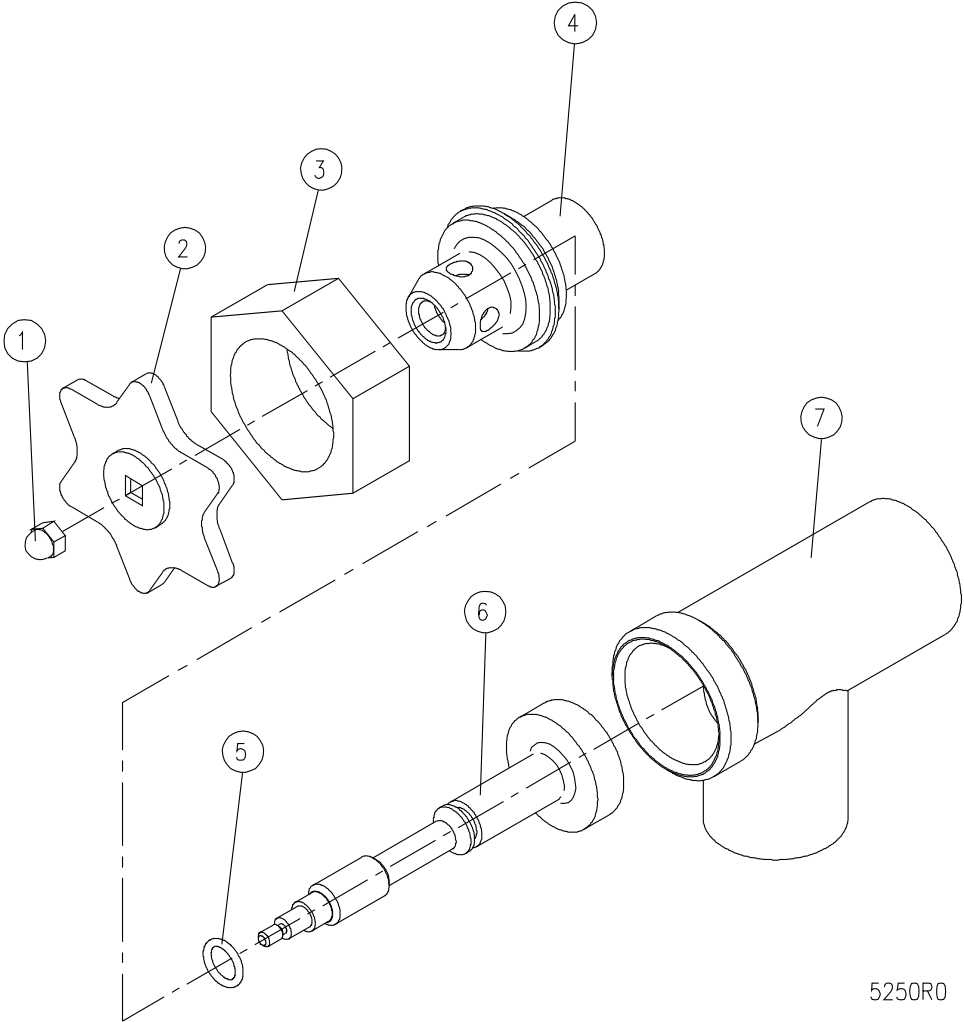
SPRING ASSIST HINGE ASSEMBLY

<u>ITEM</u>	<u>PART NO.</u>	<u>DESCRIPTION</u>	<u>QUANTITY</u>
	9-3185	HINGE ASSEMBLY	
1.	8-2029	Lock Pin	1
2.	8-2035L	End Lock Plate	1
3.	5428-1	Stationary Disc	1
4.	5430-1	Core	1
5.	8-2026	Spring	1
6.	4990-5	Handle Assembly	1
7.	5429-1	Rotary Disc	1
8.	8-2021	End Stop Plate	1
9.	4261-2	Hinge Support Riser	1
10.	M50S-1420-34	Hex HD Screw, 1/4 - 20 x 3/4, Stainless Steel	4
11.	M50S-51618-12	Hex HD Screw, 5/16 - 18 x 1/2	1
12.	2-KB01	Knob	1
13.	8-2006	Cover	1

PARTS LIST, GAS TILTING KETTLE, MODEL GLT-40F

FIGURE 5

DRAW-OFF VALVE



5250R0

PARTS LIST, GAS TILTING KETTLE, MODEL GLT-40F

FIGURE 5

<u>ITEM</u>	<u>PART NO.</u>	<u>DESCRIPTION</u>	<u>QUANTITY</u>
	3-D015	1 -1/2" DRAW-OFF VALVE ASSEMBLY	
1.	9031-3	Acorn Nut 10-24 UNC	1
2.	4115-1	Handle, Stainless Steel	1
3.	3-DV14	Bonnet	1
4.	3-DV13	Gland Nut	1
5.	3-DV16	"O" Ring	1
6.	3-DV15RV	Stem Assembly	1
7.	3-DV17	Valve Body	1

<u>ITEM</u>	<u>PART NO.</u>	<u>DESCRIPTION</u>	<u>QUANTITY</u>
	3-D020	2" DRAW-OFF VALVE ASSEMBLY	
1.	9031-3	Acorn Nut 10-24 UNC	1
2.	4115-1	Handle, Stainless Steel	1
3.	3-DV24	Bonnet	1
4.	3-DV23	Gland Nut	1
5.	3-DV26	"O" Ring	1
6.	3-DV25RV	Stem Assembly	1
7.	3-DV27	Valve Body	1

PARTS LIST, GAS TILTING KETTLE, MODEL GLT-40F

FIGURE 5

<u>ITEM</u>	<u>PART NO.</u>	<u>DESCRIPTION</u>	<u>QUANTITY</u>
	3-D030	3" DRAW-OFF VALVE ASSEMBLY	
1.	3-DV31	Acorn Nut, 7/16 - 14 UNC	1
2.	3-DV32	Handle, Stainless Steel	1
3.	3-DV34	Bonnet	1
4.	3-DV33	Gland Nut	1
5.	3-DV36	"O" Ring	1
6.	3-DV35RV	Stem Assembly	1
7.	3-DV37	Valve Body	1