

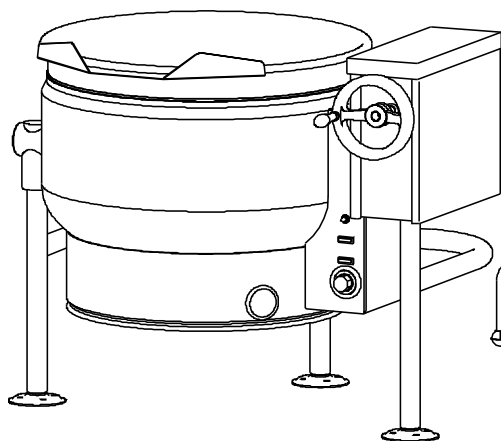


IMPORTANT FOR FUTURE REFERENCE
 Please complete this information and retain this manual for the life of the equipment:

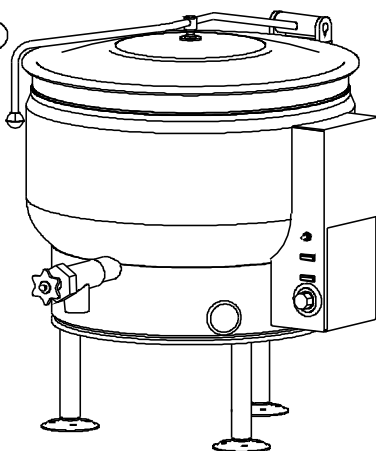
Model #: _____
 Serial #: _____
 Date Purchased: _____

PARTS LIST

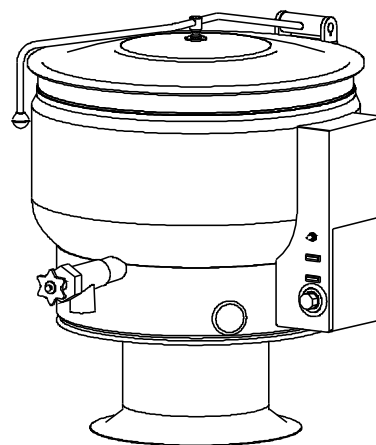
Self ; enerating Steam ; ull' >acket' ? ettlles
 9 @H!: "'9 @: "'9 D!:



ELT-F



EL-F



EP-F

⚠ WARNING

Improper installation, adjustment, alteration, service or maintenance can cause property damage, injury or death. Read the installation, operating and maintenance instructions thoroughly before installing or servicing this equipment.

CROWN FOOD SERVICE EQUIPMENT

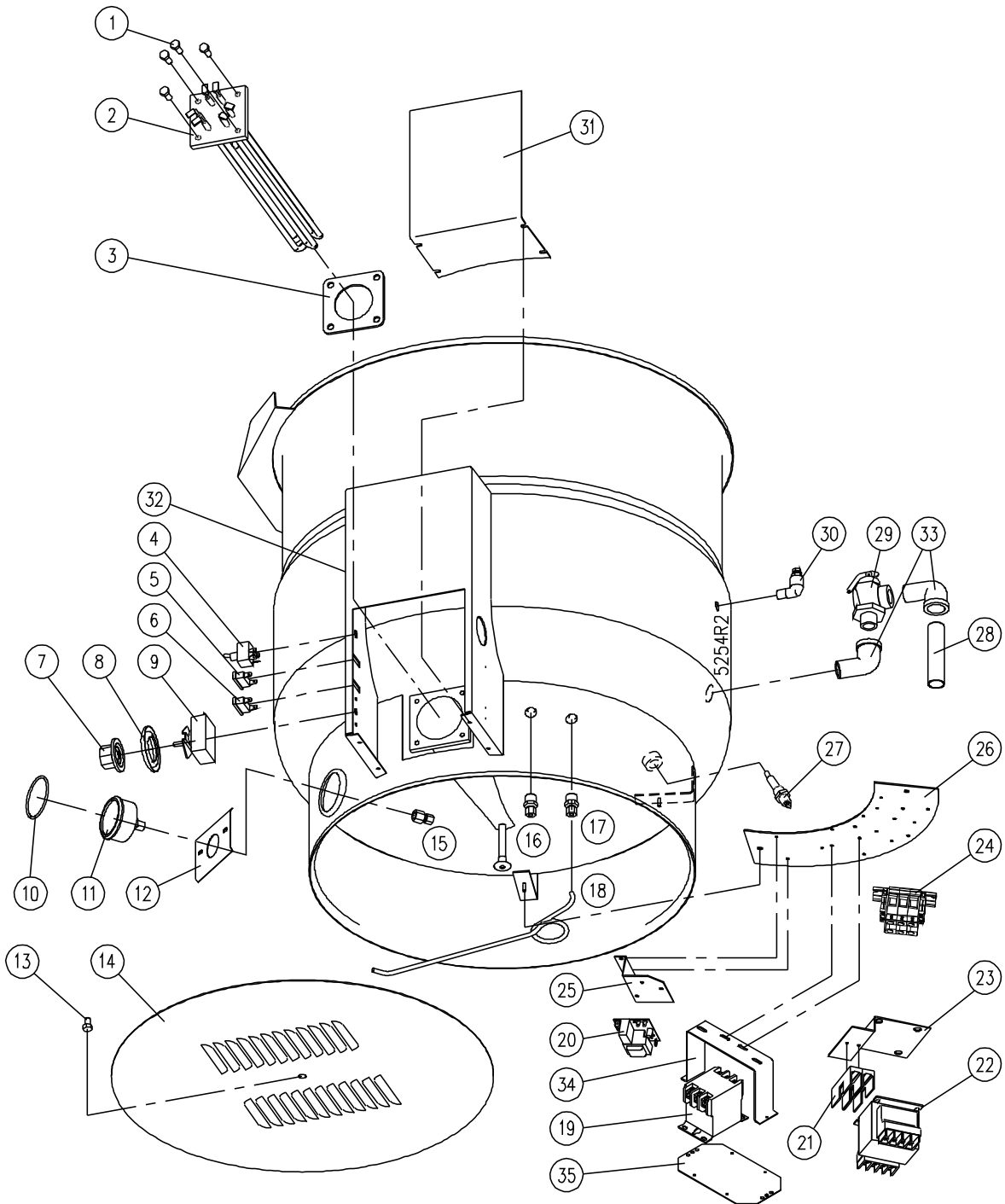
Division of Middleby Canada Company Inc.
 70 Oakdale Road, Downsview (Toronto) Ontario, Canada, M3N 1V9
 Telephone: 919-762-1000 www.crownsteamgroup.com

Printed in Canada



PARTS LIST, SELF-GENERATING STEAM FULL JACKET KETTLES,
MODELS: ELT-F, EL-F, EP-F

FIGURE 1



PARTS LIST, SELF-GENERATING STEAM FULL JACKET KETTLES,
 MODELS: ELT-F, EL-F, EP-F

FIGURE 1

<u>ITEM</u>	<u>PART NO.</u>	<u>DESCRIPTION</u>	<u>QUANTITY</u>				
			<u>20</u>	<u>30</u>	<u>40</u>	<u>60</u>	
1.	1-66S6	Hex Bolt, 5/16 - 18 x 3/4 Inches	4	4	4	4	
**	2.	7-5027	Element Assembly, 208V, 18 kW	1	1	1	
		7-5028	Element Assembly, 220/380V, 18 kW	1	1	1	
		7-5029	Element Assembly, 240/416V, 18 kW	1	1	1	
		7-5030	Element Assembly, 480V, 18 kW	1	1	1	
		9-3298	Element Assembly, 600V, 18 kW	1	1	1	
		7-5031	Element Assembly, 208V, 24 kW	1	1	1	1
		7-5037	Element Assembly, 220/380V, 24 kW	1	1	1	1
		7-5032	Element Assembly, 240/416V, 24 kW	1	1	1	1
		7-5033	Element Assembly, 480V, 24 kW	1	1	1	1
		9-3299	Element Assembly, 600V, 24 kW	1	1	1	1
		7-5034	Element Assembly, 208V, 33 kW		1	1	1
		7-5038	Element Assembly, 220/380V, 33 kW		1	1	1
		7-5035	Element Assembly, 240/416V, 33 kW		1	1	1
		7-5036	Element Assembly, 480V, 33 kW		1	1	1
		2348-2	Element Assembly, 600V, 33 kW		1	1	1
	3.	5986-1	Element Gasket	1	1	1	1
	4.	9110-1	Power Switch	1	1	1	1
	5.	4996-5	Pilot Light - Amber, Low Water	1	1	1	1
	6.	4996-5	Pilot Light - Amber, Temperature	1	1	1	1
**	7.	6311-1	Knob Assembly (1-10)	1	1	1	1
		5975-2	Knob Assembly (°F)	1	1	1	1
		5976-2	Knob Assembly (°C)	1	1	1	1
	8.	4-TB05	Bezel	1	1	1	1
	9.	9126-1	Thermostat	1	1	1	1
	10.	2-230R	"O" Ring	1	1	1	1
	11.	4967-1	Pressure Gauge	1	1	1	1

PARTS LIST, SELF-GENERATING STEAM FULL JACKET KETTLES,
MODELS: ELT-F, EL-F, EP-F

<u>ITEM</u>	<u>PART NO.</u>	<u>DESCRIPTION</u>	<u>QUANTITY</u>				
			<u>20</u>	<u>30</u>	<u>40</u>	<u>60</u>	
12.	8-3097	Pressure Gauge Mounting Plate	1	1	1	1	
13.	1-66S4	Hex Bolt, 5/16 - 18 x 1/2"	1	1	1	1	
**	14.	3041-9	Bottom Cover, ELT-20F	1			
		3041-10	Bottom Cover, ELT-30F		1		
		3041-11	Bottom Cover, ELT-40F			1	
		3041-12	Bottom Cover, ELT-60F				1
		3041-3	Bottom Cover, EL-20F	1			
		3041-4	Bottom Cover, EL-30F		1		
		3041-5	Bottom Cover, EL-40F			1	
		3041-6	Bottom Cover, EL-60F				1
		7139-3	Bottom Cover, EP-20F	1			
		7139-4	Bottom Cover, EP-30F		1		
		7139-5	Bottom Cover, EP-40F			1	
		7139-6	Bottom Cover, EP-60F				1
15.	3-664B	Connector, 1/4 cc x 1/4 FPT	1	1	1	1	
16.	2-686C	Connector, Thermostat	1	1	1	1	
17.	3-684C	Connector, 1/4 cc x 3/8 MPT	1	1	1	1	
18.	5514-2	Copper Tube, 1/4 x 28", 20 Gallon	1				
	5514-3	Copper Tube, 1/4 x 29", 30 Gallon		1			
	5514-4	Copper Tube, 1/4 x 33", 40 Gallon			1		
	5514-5	Copper Tube, 1/4 x 35", 60 Gallon				1	
**	19.	9348-208	Contact, 208 - 240V, 18 kW, 24 kW	2	2	2	2
		9348-208	Contact, 380 - 600V, 18 kW, 24 kW	1	1	1	1
		9349-208	Contact, 208 - 240V, 33 kW		2	2	2
		9349-208	Contact, 380 - 600V, 33 kW		1	1	1
20.	3974-2	Low Water Cut Off	1	1	1	1	
**	21.	9002-1	Fuse Holder, 380 - 600V	2	2	2	2
		9001-2	Fuse, 1/2 Amp., 380V - 600V	2	2	2	2

PARTS LIST, SELF-GENERATING STEAM FULL JACKET KETTLES,
MODELS: ELT-F, EL-F, EP-F

<u>ITEM</u>	<u>PART NO.</u>	<u>DESCRIPTION</u>	<u>QUANTITY</u>			
			<u>20</u>	<u>30</u>	<u>40</u>	<u>60</u>
	9092-3	Glass Fuse, 3A, 208-240V	2	2	2	2
	9068-1	Fuse Holder, 208-240V	2	2	2	2
**	21.	9092-3 Glass Fuse, Fuse 3A, 380/220V & 415/240V	1	1	1	1
	9068-1	Fuse Holder, 380/220V & 415/240V	1	1	1	1
**	22.	4-T251 Transformer, 380-220, 50/60 Hz, 100VA	1	1	1	1
	4-T251	Transformer, 415-220, 50/60 Hz, 100VA	1	1	1	1
	4-T255	Transformer, 480-240, 50/60 Hz, 100VA	1	1	1	1
	4-T260	Transformer, 600-240, 60 Hz, 100VA	1	1	1	1
	23.	5164-1 Transformer Fuse Block Mounting Bracket	1	1	1	1
**	24.	6161-3 Modular Terminal Assembly, 3 Pole Includes Following Parts:	1	1	1	1
	9374-1	Modular Terminal, Grey	3	3	3	3
	9375-1	End Plate	1	1	1	1
	9369-1	End Clamp	2	2	2	2
	9368-079	Mounting Rail, 79 mm	1	1	1	1
	6161-4N	Modular Terminal Assembly , 4 Pole Includes Following Parts:	1	1	1	1
	9374-1	Modular Terminal, Grey	3	3	3	3
	9374-2	Modular Terminal, Blue	1	1	1	1
	9375-1	End Plate	1	1	1	1
	9369-1	End Clamp	2	2	2	2
	9368-098	Mounting Rail, 98 mm	1	1	1	1
	25.	5885-1 Bracket, Level Control	1	1	1	1
**	26.	8-2072 Component Mounting Plate	1			
	8-2073	Component Mounting Plate		1		

PARTS LIST, SELF-GENERATING STEAM FULL JACKET KETTLES,
MODELS: ELT-F, EL-F, EP-F

<u>ITEM</u>	<u>PART NO.</u>	<u>DESCRIPTION</u>	<u>QUANTITY</u>				
			<u>20</u>	<u>30</u>	<u>40</u>	<u>60</u>	
	8-2074	Component Mounting Plate			1	1	
27.	4-LLP1	Probe, 2-1/16 Lg.	1	1	1	1	
28.	5184-1	Extension, Relief Valve	1	1	1	1	
29.	3-SRV9-1	Safety Relief Valve, 50 psi	1	1	1	1	
30.	3-AV01	Air Vent Assembly	1	1	1	1	
**	31.	8-3030-2	Control Box Cover (6880-3), 20 Gallon	1			
		8-3030-3	Control Box Cover (6880-4), 30 Gallon		1		
		8-3030-4	Control Box Cover (6880-5), 40 Gallon			1	
		8-3030-5	Control Box Cover (6880-6), 60 Gallon				1
*	32.	6561-4	Control Panel Decal	1			
		6561-5	Control Panel Decal		1		
		6561-6	Control Panel Decal			1	
		6561-7	Control Panel Decal				1
	33.	9012-4P	Street Elbow 90°, 3/4 NPT	2	2	2	2
	34.	8234-1	Contactoer Bracket	1	1	1	1
	35.	6042-1	Contactoer Plate	1	1	1	1

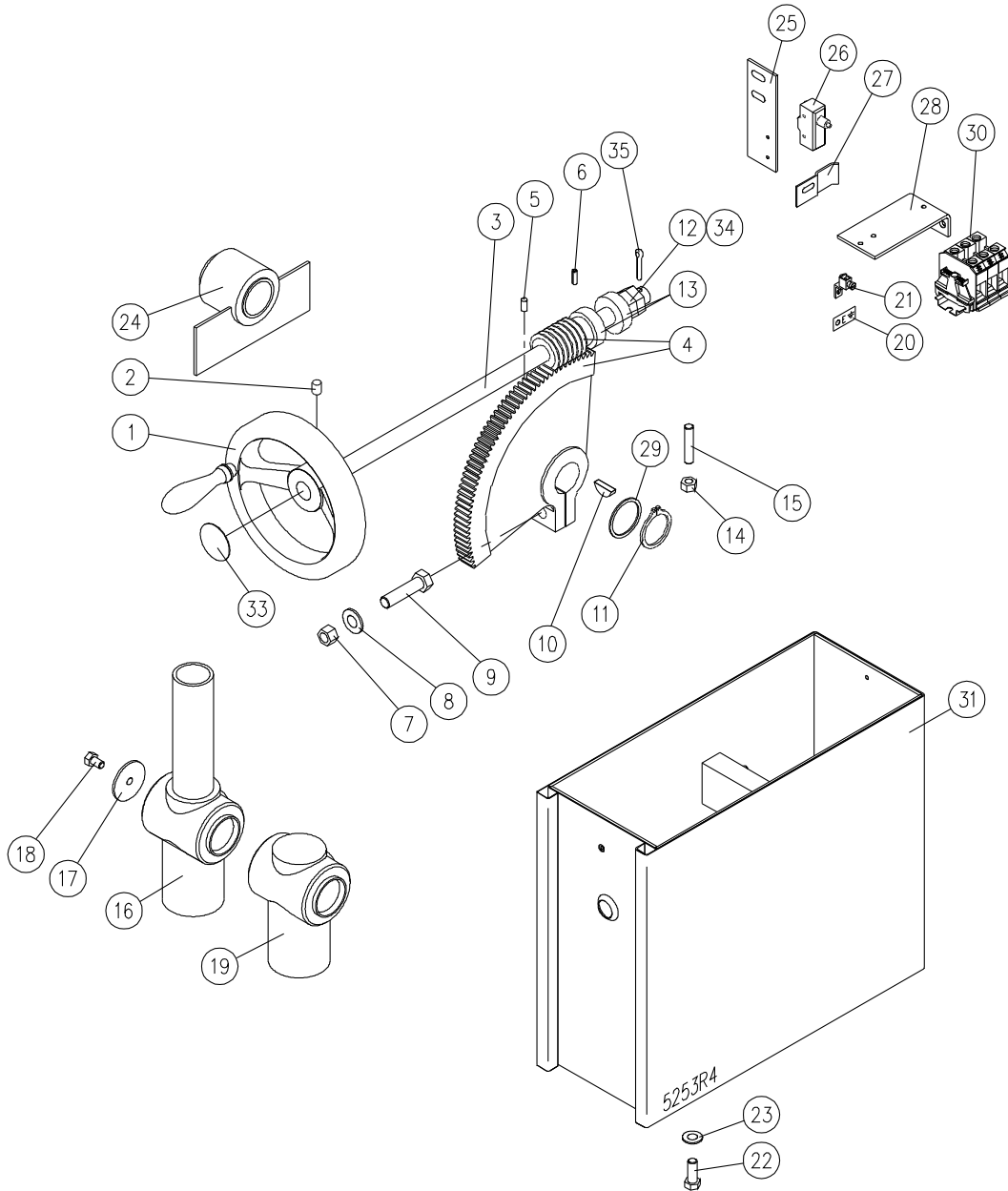
* NOT SHOWN.

** SELECT AS REQUIRED.

PARTS LIST, SELF-GENERATING STEAM FULL JACKET KETTLES,
MODELS: ELT-F, EL-F, EP-F

TILT CONSOLE PARTS

FIGURE 2



PARTS LIST, SELF-GENERATING STEAM FULL JACKET KETTLES,
 MODELS: ELT-F, EL-F, EP-F

FIGURE 2

<u>ITEM</u>	<u>PART NUMBER</u>	<u>DESCRIPTION</u>	<u>QUANTITY</u>
1.	8-2054	Hand Wheel	1
2.	1-72U4	Set Screw 3/8 -16 x 1/2"	1
3.	6738-2	Tilt Shaft	1
4.	5393-1	Segment Gear & Worm Gear Kit (Includes items 5 to 11)	1
5.	1-52U4	Set Screw, 1/4 - 20 x 1/2"	1
6.	2-T6U5	Tension Pin, 3/16" Diameter x 1-1/4" Length	1
7.	1-99C0	Nut, 1/2 - 13	1
8.	1-W4C0	Lock Washer, 1/2"	1
9.	2-96C8	Bolt, 1/2 - 13 x 2"	1
10.	1-K8U8	Key Woodruff	1
11.	1-R315	Retaining Ring	1
12.	2-HN66	Jam Nut	2
13.	5327-1	Thrust Bearing	2
14.	1-79C0	Nut, 3/8 - 16	1
15.	2-72U7	Set Screw, 3/8 - 16 x 1-3/4"	1
16.	8-2085EE	Outbore Bearing complete with extension - used on spring assist covers only - specify model.	1
17.	9-3197	Stainless Steel Washer	1
18.	9-3198	Bolt	1
19.	8-2085E	Outbore Bearing	1
20.	9-3104	Ground ID Tag	1
21.	4-70EU	Ground Lug	1

PARTS LIST, SELF-GENERATING STEAM FULL JACKET KETTLES,
MODELS: ELT-F, EL-F, EP-F

FIGURE 2

<u>ITEM</u>	<u>PART NUMBER</u>	<u>DESCRIPTION</u>	<u>QUANTITY</u>
22.	1-75C8	Bolt 3/8-16 x 1"	4
23.	1-70C0	Lock Washer 3/8"	4
24.	8-2090	Block Bearing	1
25.	4653-1	Micro Switch Bracket	1
26.	4-M605	Micro Switch	1
27.	4359-1	Micro Switch Activator Bracket	1
28.	4214-1	Terminal Block Bracket	1
29.	5259-1	Spacer, 1/16" Thick	As Required
30.	6161-3	Modular Terminal Assembly, 3 Pole	1
		Includes Following Parts:	
	9374-1	Modular Terminal, Grey	3
	9375-1	End Plate	1
	9369-1	End Clamp	2
	9368-079	Mounting Rail, 79 mm	1
	6161-4N	Modular Terminal Assembly, 4 Pole	1
		Includes Following Parts:	
	9374-1	Modular Terminal, Grey	3
	9374-2	Modular Terminal, Blue	1
	9375-1	End Plate	1
	9369-1	End Clamp	2
	9368-098	Mounting Rail, 98 mm	1
31.	2960-1	Console Assembly, ELT	1
* 32.	1-34S4	Screw, Console Cover, 10 - 32 x 1/2"	1

PARTS LIST, SELF-GENERATING STEAM FULL JACKET KETTLES,
MODELS: ELT-F, EL-F, EP-F

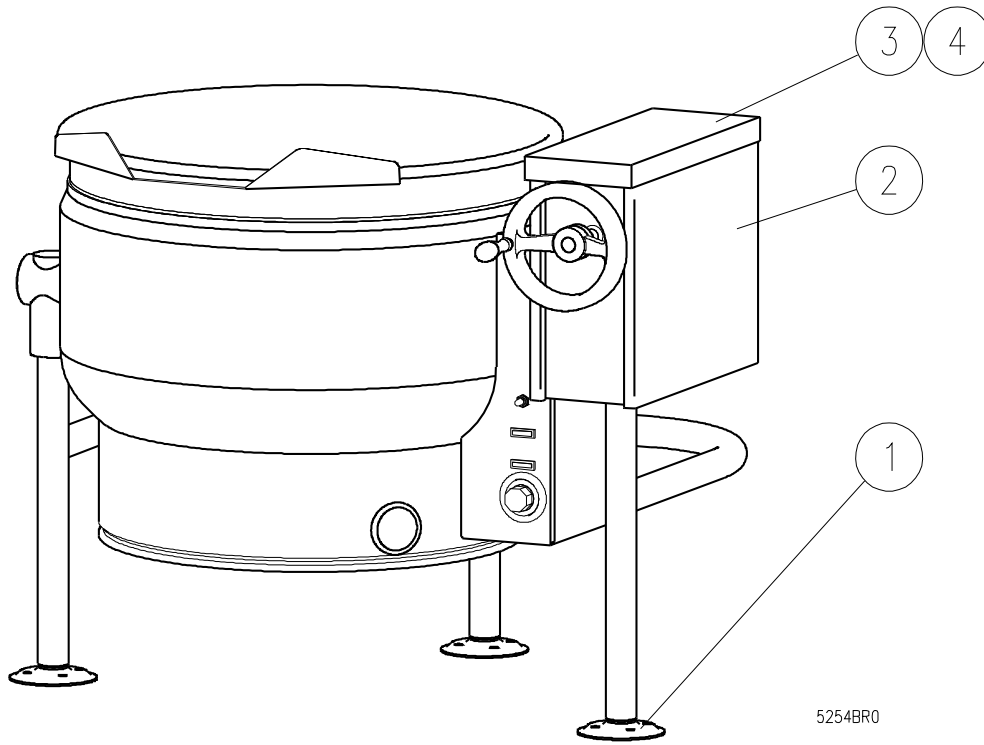
33.	5608-1	Decal - Tilt	1
34.	5328-1	Washer, 3/4 ID x 1-1/4 OD	1
35.	5329-1	Cotter Pin S.S. 3/16" x 1"	1

* NOT SHOWN.

PARTS LIST, SELF-GENERATING STEAM FULL JACKET KETTLES,
 MODELS: ELT-F, EL-F, EP-F

PARTS LIST

FIGURE 3



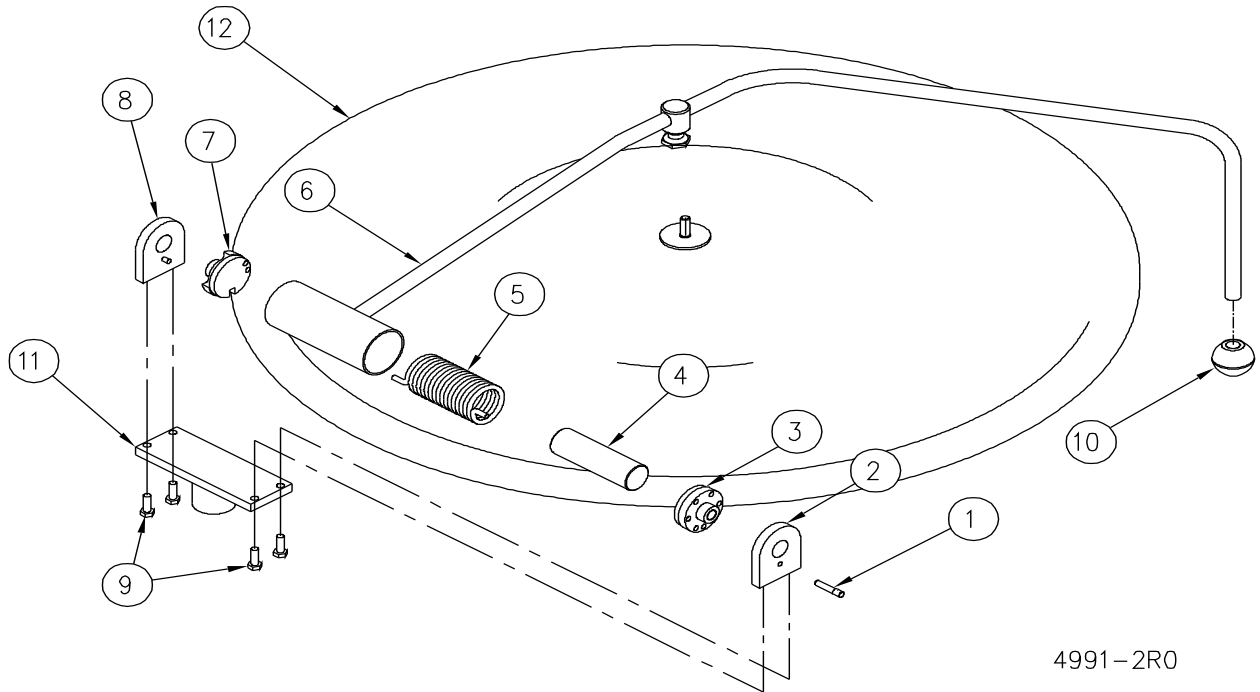
ELT-F

<u>ITEM</u>	<u>PART NUMBER</u>	<u>DESCRIPTION</u>	<u>QUANTITY</u>
1.	8-1308	Adjustable Flanged Foot	3
2.	2960-1	Console Box	1
3.	3534-1	Console Cover	1
4.	1-34S4	Screw, 10 - 32 x 1/2"	1

PARTS LIST, SELF-GENERATING STEAM FULL JACKET KETTLES,
MODELS: ELT-F, EL-F, EP-F

FIGURE 4

SPRING ASSIST HINGE ASSEMBLY



PARTS LIST, SELF-GENERATING STEAM FULL JACKET KETTLES,
 MODELS: ELT-F, EL-F, EP-F

FIGURE 4

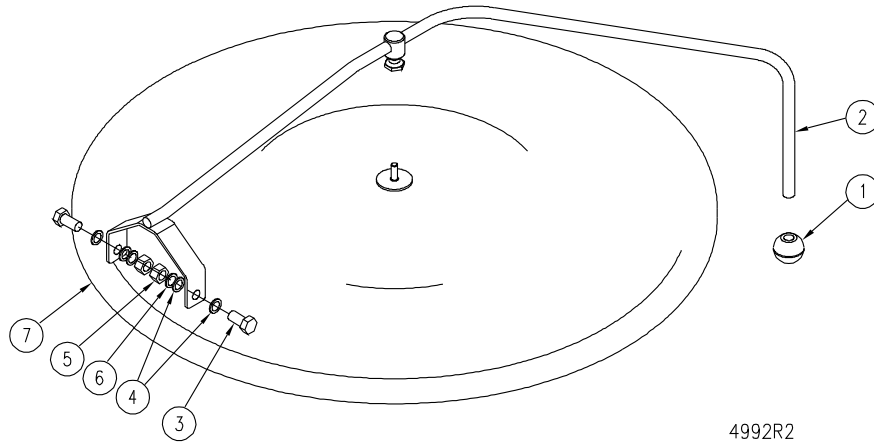
<u>ITEM</u>	<u>PART NUMBER</u>	<u>DESCRIPTION</u>	<u>QUANTITY</u>
	9-3185	HINGE ASSEMBLY	
1.	8-2029	Lock Pin	1
2.	8-2035L	End Lock Plate	1
3.	5428-1	Stationary Disc	1
4.	5430-1	Core	1
5.	8-2026	Spring	1
** 6.	8-2028-2	Handle Assembly, 20 Gallon Kettle	1
	8-2027	Handle Assembly, 30 Gallon Kettle	1
	8-2027-1	Handle Assembly, 40 Gallon Kettle	1
	8-2027-2	Handle Assembly, 60 Gallon Kettle	1
7.	5429-1	Rotary Disc	1
8.	8-2021	End Stop Plate	1
9.	1-56S6	Cap Screws, 1/4 - 20 x 3/4, Stainless Steel	4
10.	2-KB01	Knob	1
11.	4261-1	Mounting Plate Assembly - Tilting Models Only	1
** 12.	8-2005	Covers, 20 Gallon Kettle	1
	8-2006	Covers, 30 Gallon Kettle	1
	8-2007	Covers, 40 Gallon Kettle	1
	8-2008	Covers, 60 Gallon Kettle	1

** SELECT AS REQUIRED.

PARTS LIST, SELF-GENERATING STEAM FULL JACKET KETTLES,
 MODELS: ELT-F, EL-F, EP-F

FIGURE 5

HINGE ASSEMBLY

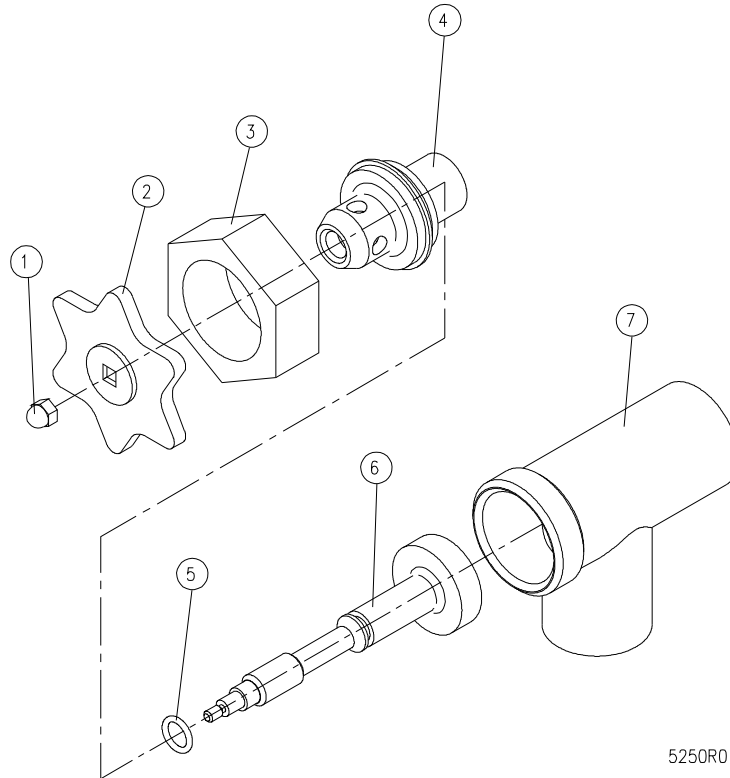


<u>ITEM</u>	<u>PART NUMBER</u>	<u>DESCRIPTION</u>	<u>QUANTITY</u>
1.	2-KB01	Knob	1
** 2.	9-3231-2	Handle Assembly, 20 Gallon Kettle	1
3.	1-85S8	Bolt	2
4.	1-W0V6	Fibre Washer	4
5.	1-89S0	Hex Nut, 1/2-20 UNF, Stainless Stl.	2
6.	S05N-12	Split Lock Washer	2
7.	8-2005	Cover, 20 Gallon Kettle	1

* * SELECT AS REQUIRED

PARTS LIST, SELF-GENERATING STEAM FULL JACKET KETTLES,
 MODELS: ELT-F, EL-F, EP-F

FIGURE 6



5250R0

DRAW-OFF VALVE

<u>ITEM</u>	<u>PART NUMBER</u>	<u>DESCRIPTION</u>	<u>QUANTITY</u>
	3-D015	1 - 1/2" DRAW-OFF VALVE ASSEMBLY	
1.	9031-3	Acorn Nut, 10-24 UNC	1
2.	4115-1	Handle, Stainless Steel	1
3.	3-DV13	Gland Nut	1
4.	3-DV14	Bonnet	1
5.	3-DV16	"O" Ring	1
6.	3-DV15RV	Stem Assembly	1
7.	3-DV17	Valve Body	1

PARTS LIST, SELF-GENERATING STEAM FULL JACKET KETTLES,
 MODELS: ELT-F, EL-F, EP-F

<u>ITEM</u>	<u>PART NUMBER</u>	<u>DESCRIPTION</u>	<u>QUANTITY</u>
	3-D020	2" DRAW-OFF VALVE ASSEMBLY	
1.	9031-3	Acorn Nut, 10-24 UNC	1
2.	4115-1	Handle, Stainless Steel	1
3.	3-DV23	Gland Nut	1
4.	3-DV24	Bonnet	1
5.	3-DV26	"O" Ring	1
6.	3-DV25RV	Stem Assembly	1
7.	3-DV27	Valve Body	1

<u>ITEM</u>	<u>PART NUMBER</u>	<u>DESCRIPTION</u>	<u>QUANTITY</u>
	3-D030	3" DRAW-OFF VALVE ASSEMBLY	
1.	3-DV31	Acorn Nut, 7/16-14 UNC	1
2.	3-DV32	Handle, Stainless Steel	1
3.	3-DV33	Gland Nut	1
4.	3-DV34	Bonnet	1
5.	3-DV36	"O" Ring	1
6.	3-DV35RV	Stem Assembly	1
7.	3-DV37	Valve Body	1