



MARKET FORGE

IMPORTANT FOR FUTURE REFERENCE

Please complete this information and retain this manual for the life of the equipment:

Model #: _____

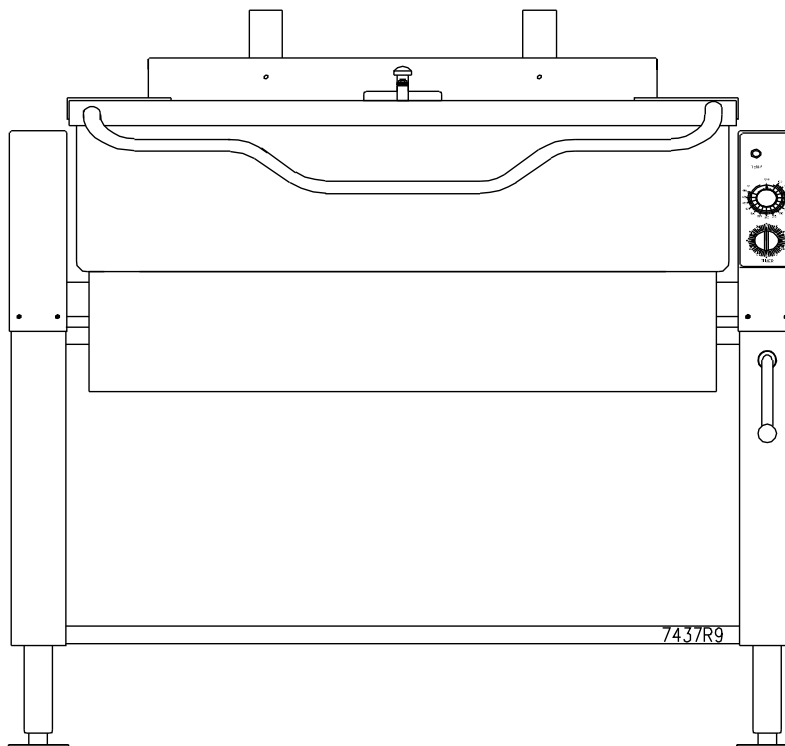
Serial #: _____

Date Purchased: _____

PARTS LIST

UniVerse Plus- Gas Tilting Skillet


30P-ST; L (-LX) 40P-ST; L (-LX) 30P-ST; M (-LX) 40P-ST; M (-LX)



WARNING

Improper installation, adjustment, alteration, service or maintenance can cause property damage, injury or death. Read the installation, operating and maintenance instructions thoroughly before installing or servicing this equipment.

CROWN FOOD SERVICE EQUIPMENT

 A Middleby Company

70 Oakdale Road, Downsview (Toronto) Ontario, Canada, M3N 1V9

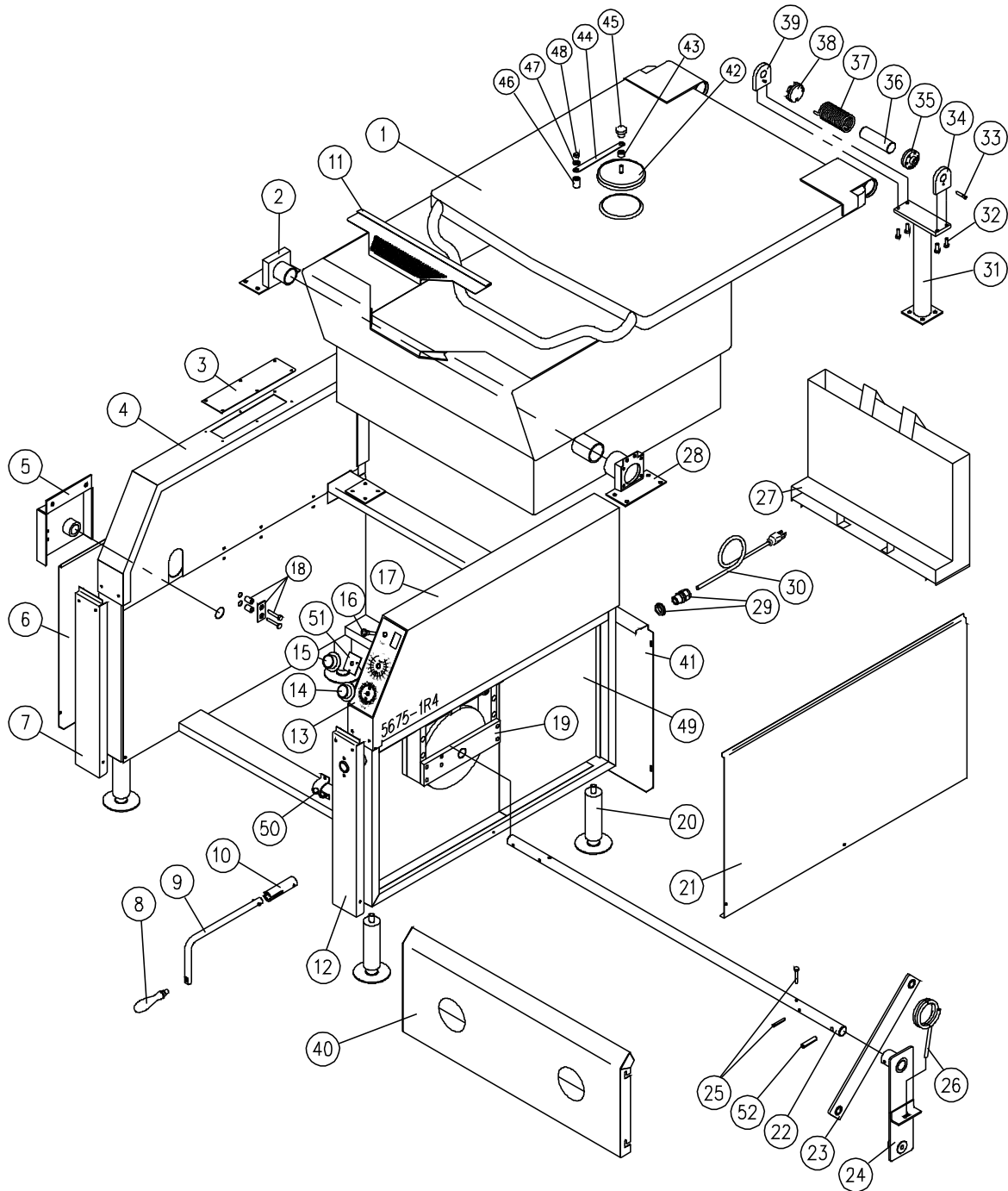
Telephone: 919-762-1000 www.crownsteamgroup.com

Printed in Canada



PARTS LIST, GAS FIRED FRYING & BRAISING PANS, MODELS: 30P-STGL, 30P-STGL-LX,
40P-STGL, 40P-STGL-LX, 30P-STGM, 30P-STGM-LX, 40P-STGM, 40P-STGM-LX

FIGURE 1



PARTS LIST, GAS FIRED FRYING & BRAISING PANS, MODELS: 30P-STGL, 30P-STGL-LX,
40P-STGL, 40P-STGL-LX, 30P-STGM, 30P-STGM-LX, 40P-STGM, 40P-STGM-LX

FIGURE 1

<u>ITEM</u>	<u>PART No.</u>	<u>DESCRIPTION</u>	<u>30</u>	<u>40</u>	
1.	7593-1	Pan Cover Assembly	1		
	7592-1	Pan Cover Assembly		1	
2.	7429-1	Left Hand Trunnion Assembly	1	1	
**	3.	7423-1	Faucet Cover Plate	1	1
	8764-1	Faucet Mounting Plate Pantry Faucet	1	1	
	8765-1	Faucet Mounting Plate Double Faucet	1	1	
4.	7502-1	Left Hand Console Top Cover	1	1	
5.	7492-1	Left Hand Console Tilt Shaft Bearing Bracket	1	1	
6.	7416-2	Lower Console Side Panel, Left Hand	1	1	
7.	7410-1	Left Hand Console, Front Cover	1	1	
8.	3560-1	Handle (8-2054-1)	1	1	
**	9.	5667-1	Crank Handle	1	1
	5667-2	Crank Handle (Right Hand Draw-Off Valve)	1	1	
10.	7500-1	Input Shaft Adaptor	1	1	
11.	7404-1	Pour Lip Strainer	1	1	
12.	7409-1	Right Hand Front Console Cover	1	1	
**	13.	5661-1	Decal	1	1
	5661-2	Decal, with cutout for tilt switch	1	1	
14.	9169-1	Timer complete with Dial	1	1	
15.	9148-1	Thermostat Dial	1	1	
*	9109-1	Rotary Shaft Seal	1	1	
16.	4661-2	Pilot Light - Temperature, Red	1	1	
17.	7501-1	Right Hand Console Top Cover	1	1	

PARTS LIST, GAS FIRED FRYING & BRAISING PANS, MODELS: 30P-STGL, 30P-STGL-LX,
40P-STGL, 40P-STGL-LX, 30P-STGM, 30P-STGM-LX, 40P-STGM, 40P-STGM-LX

<u>ITEM</u>	<u>PART No.</u>	<u>DESCRIPTION</u>	<u>30</u>	<u>40</u>	
18.	5688-1	Spring Retainer	2	2	
*	M50C-51618-112	Hex HD Screw	4	4	
*	F105N-516	Washer	4	4	
*	5693-1	Spacer	4	4	
19.	7403-1	Gear Box Assembly	1	1	
**	20.	5379-1	Flanged Adjustable Foot	4	4
		5381-1	Swivel Caster, c/w Brake, Front	2	2
		5382-1	Swivel Caster, Rear	2	2
21.	7416-1	Lower Console Side Cover Right Hand	1	1	
22.	7427-1	Tilt Shaft	1		
		7427-2	Tilt Shaft		1
23.	7419-1	Tilt Arm Extension	2	2	
24.	7417-1	Arm, Lift	2	2	
25.	9193-2	Roll Pin	2	2	
	M50S-1420-134	Hex Bolt	2	2	
26.	9695-1	Spring, Right Hand	1	1	
	9694-1	Spring, Left Hand	1	1	
27.	7588-1	Flue Assembly	1		
	7589-1	Flue Assembly		1	
28.	7428-1	Right Hand Trunnion Assembly	1	1	
29.	9176-1	Liquid Tight Connector	1	1	
	9176-2	Locknut	1	1	
30.	4127-3	Cord Set	1	1	
31.	7424-1	Post Assembly	2	2	
32.	M50S-1420-34	Hex HD Screw	8	8	

PARTS LIST, GAS FIRED FRYING & BRAISING PANS, MODELS: 30P-STGL, 30P-STGL-LX,
40P-STGL, 40P-STGL-LX, 30P-STGM, 30P-STGM-LX, 40P-STGM, 40P-STGM-LX

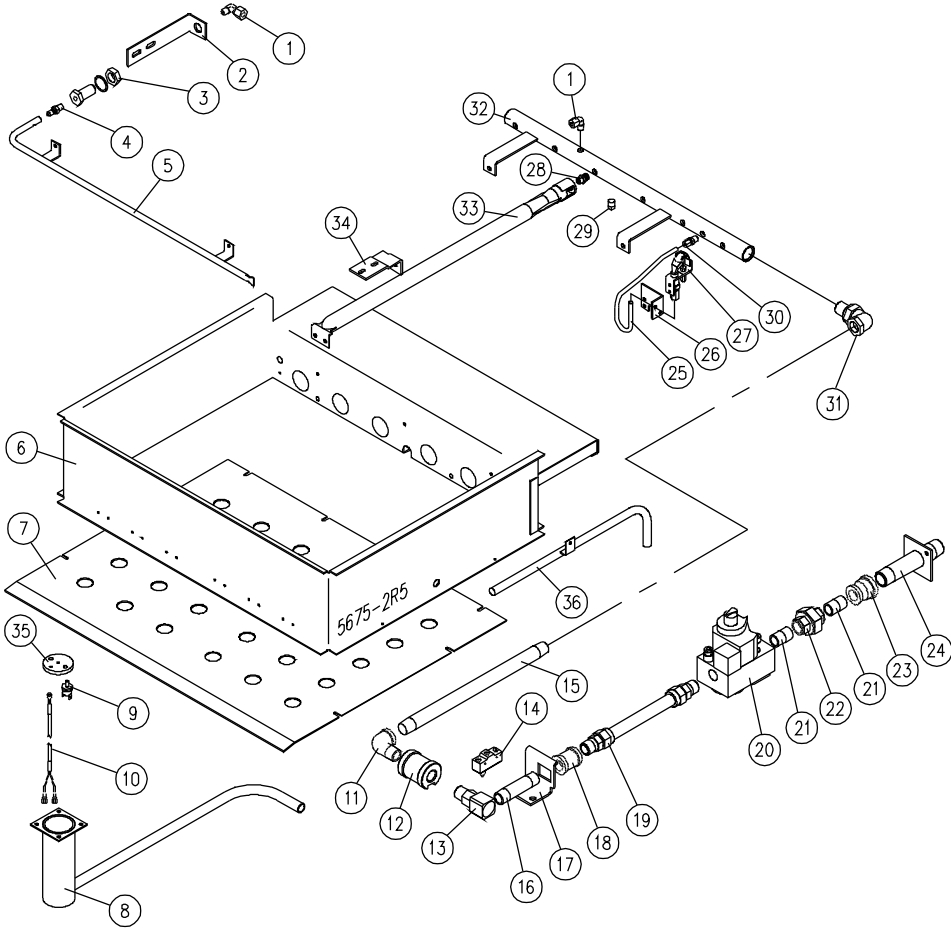
<u>ITEM</u>	<u>PART No.</u>	<u>DESCRIPTION</u>	<u>30</u>	<u>40</u>	
33.	3725-1	Lock Pin (8-2029)	2	2	
34.	37261	End Lock Plate (8-2035L)	2	2	
35.	5428-1	Stationary Disc	2	2	
36.	5430-1	Core	2	2	
37.	4008-1	Spring (8-2026)	2	2	
38.	5429-1	Rotary Disc	2	2	
39.	3727-1	End Stop Plate (8-2021)	2	2	
40.	7607-1	Front Cover Panel (Modular Units)	1		
	7607-2	Front Cover Panel (Modular Units)		1	
41.	7598-1	Back Cover Panel (Modular Units)	1		
	7598-2	Back Cover Panel (Modular Units)		1	
42.	4139-1	Vent Cover	1	1	
43.	4355-1	Swivel Spacer	1	1	
44.	5817-1	Arm	1	1	
45.	9248-1	Knob	1	1	
46.	4355-1	Swivel Base	1	1	
47.	F105N-14	Flat Washer	1	1	
48.	9031-5	Acorn Nut	1	1	
**	49.	7413-1	Console Panel (Manual Tilt Skillets)	1	1
		7608-1	Console Panel (Power Tilt Skillets)	1	1
50.	5694-1	Tilt Handle Bracket	1	1	
51.	5611-1	Potentiometer Spacer	1	1	
52.	9032-9	Spring Pin	2	2	

* NOT SHOWN.

** SELECT AS REQUIRED.

PARTS LIST, GAS FIRED FRYING & BRAISING PANS, MODELS: 30P-STGL, 30P-STGL-LX,
40P-STGL, 40P-STGL-LX, 30P-STGM, 30P-STGM-LX, 40P-STGM, 40P-STGM-LX

FIGURE 2



PARTS LIST, GAS FIRED FRYING & BRAISING PANS, MODELS: 30P-STGL, 30P-STGL-LX, 40P-STGL, 40P-STGL-LX, 30P-STGM, 30P-STGM-LX, 40P-STGM, 40P-STGM-LX

FIGURE 2

BURNER BASKET AND GAS LINE COMPONENTS

<u>ITEM</u>	<u>PART NO.</u>	<u>DESCRIPTION</u>	<u>30</u>	<u>40</u>
1.	9659-1	Elbow, Brass 90° (3-694A)	2	2
2.	3991-1	Lighter Tube Bracket	1	1
3.	9698-1	Terminal Bolt (3-129B)	1	1
** 4.	9-3335-56	Lighter Tube Orifice, Natural, #56	1	1
	9-3335-72	Lighter Tube Orifice, Liquid Propane, #72	1	1
5.	7487-1	Lighter Tube	1	
	7487-2	Lighter Tube		1
6.	7587-1	Burner Basket Assembly	1	
	7586-1	Burner Basket Assembly		1
7.	7426-1	Bottom Cover	1	
	7425-1	Bottom Cover		1
8.	7498-1	High-Limit Thermocouple Cover	1	1
9.	4914-2	High-Limit Safety Thermostat	1	1
10.	5697-1	High-Limit and Thermocouple Wire Kit	1	1
	9288-100	Thermocouple Only	1	1
11.	9665-1	St. Elbow, Brass, (3-116D)	1	1
12.	5740-1	Trunion Coupling	1	1
13.	9196-1	Swivel	1	1
14.	9228-1	Interlock Switch (4-M605)	1	1
** 15.	9009-172	Black Pipe Nipple	1	1
16.	9009-034	Black Pipe Nipple	1	1
17.	5741-1	Swivel Bracket	1	1
18.	9042-3	Coupling	1	1
19.	9026-075	Corrugated Flex Tube, 1/2 x 7-1/2"	1	1

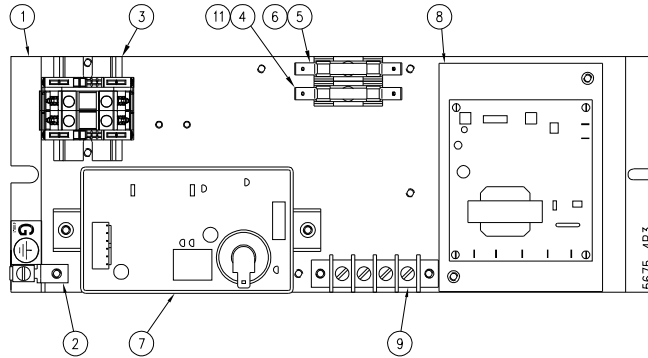
PARTS LIST, GAS FIRED FRYING & BRAISING PANS, MODELS: 30P-STGL, 30P-STGL-LX,
40P-STGL, 40P-STGL-LX, 30P-STGM, 30P-STGM-LX, 40P-STGM, 40P-STGM-LX

<u>ITEM</u>	<u>PART NO.</u>	<u>DESCRIPTION</u>	<u>30</u>	<u>40</u>	
**	20.	5188-1	Combination Gas Control, Natural	1	1
		5188-2	Combination Gas Control, Propane	1	1
	21.	9009-014	Nipple, 1/2" x 1-1/2"	2	2
	22.	9015-3	Ground Joint Union, 1/2"	1	1
	23.	9034-1	Reducer Bushing, 3/4 x 1/2"	1	1
	24.	5691-2	Gas Supply Pipe, Assembly	1	1
	25.	5682-1	Pilot Tube	1	1
	26.	5678-1	Pilot Bracket	1	1
**	27.	5171-1	Pilot Burner Assembly, Natural	1	1
		5171-2	Pilot Burner Assembly, Propane	1	1
**	28.	3598-48	Burner Orifice, #48, Natural	6	
		3598-56	Burner Orifice, #56, Propane	6	
		3598-51	Burner Orifice, #51, Natural		10
		3598-59	Burner Orifice, #59, Propane		10
	29.	9035-1	Square Head Pipe Plug, 1/8"	1	1
	30.	9666-1	Connector, Brass (3-684A)	1	1
	31.	9697-1	Union Elbow Assembly (3-U4BE)	1	1
	32.	7488-1	Manifold Assembly	1	
		7489-1	Manifold Assembly		1
	33.	7585-1	Burner	6	10
	34.	7499-1	Burner Box Mounting Bracket	2	2
	35.	5855-1	Sensor Mounting Disc	1	1
**	36.	8264-1	Thermocouple Tube	1	
		8264-2	Thermocouple Tube		1

** SELECT AS REQUIRED.

PARTS LIST, GAS FIRED FRYING & BRAISING PANS, MODELS: 30P-STGL, 30P-STGL-LX,
40P-STGL, 40P-STGL-LX, 30P-STGM, 30P-STGM-LX, 40P-STGM, 40P-STGM-LX

FIGURE 3



CONTROL CIRCUIT COMPONENTS

<u>ITEM</u>	<u>PART NO.</u>	<u>DESCRIPTION</u>	<u>QUANTITY</u>
	1.	7640-1 Component Mounting Board	1
	2.	4189-1 Ground Lug (4-35EU)	1
**	3.	9390-2 Terminal Block Assembly, 2 Pole	1
		Includes following parts:	
		9391-1 Modular Terminal	2
		9392-1 End Plate	1
		9393-1 End Clamp	2
		9394-053 Mounting Rail	1
**	4.	9068-1 Fuse Holder, 25A, 300V (LX Model)	1
	5.	9068-1 Fuse Holder	1
**	6.	9092-3 Fuse, 3A, 250V (120V Unit)	1
		9092-1 Fuse, 1A, 250V (220V Unit)	1
	7.	5373-2 Ignition Module, DSI, 3 Trial for Ignition	1
	8.	5555-1 Temperature Control	1

PARTS LIST, GAS FIRED FRYING & BRAISING PANS, MODELS: 30P-STGL, 30P-STGL-LX, 40P-STGL, 40P-STGL-LX, 30P-STGM, 30P-STGM-LX, 40P-STGM, 40P-STGM-LX

<u>ITEM</u>	<u>PART NO.</u>	<u>DESCRIPTION</u>	<u>QUANTITY</u>
9.	3877-2	Terminal Block, 4 Pole	1
*	10.	4290-100 Transformer, 220-120V, (220V Unit) (4-T265)	1
**	11.	9173-1 Fuse, 3/4 A, Time Delay, 250V, (120V Unit) LX Model	1
		9173-2 Fuse, 0.3A, Time Delay, 250V, (220V Unit) LX Model	1

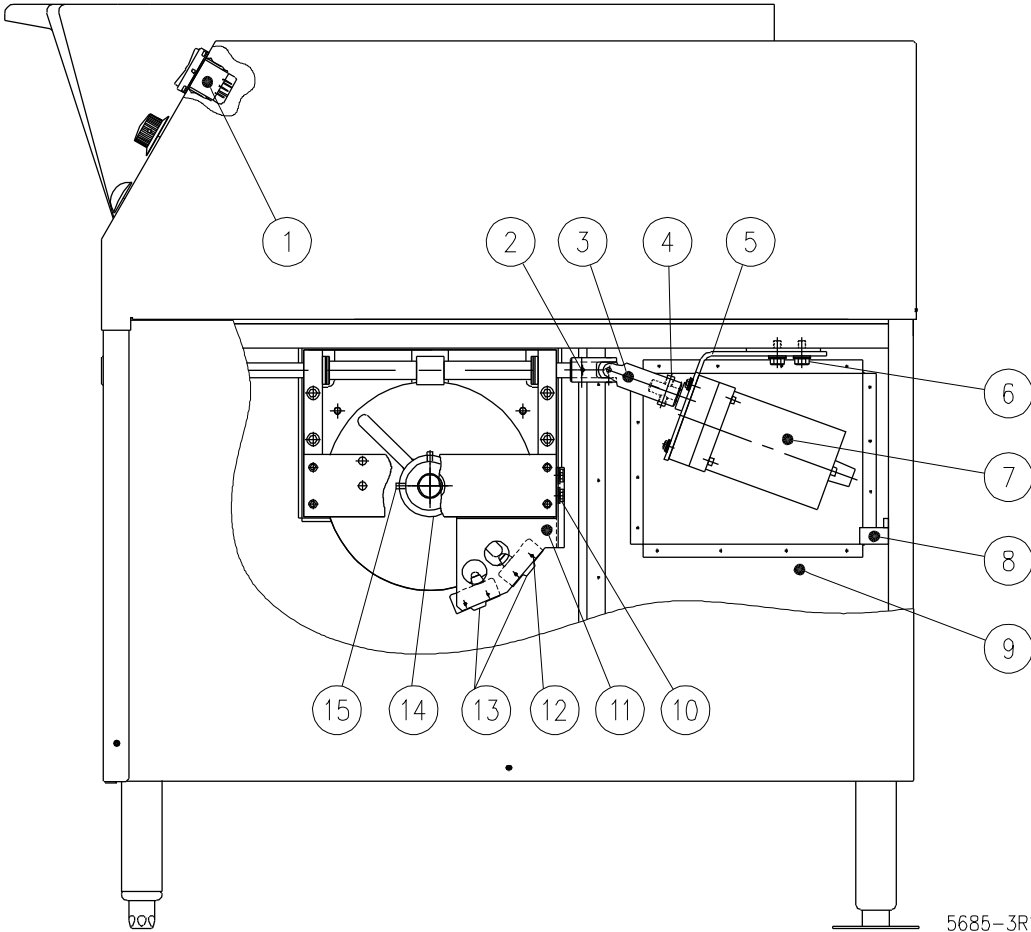
* NOT SHOWN.

** SELECT AS REQUIRED.

PARTS LIST, GAS FIRED FRYING & BRAISING PANS, MODELS: 30P-STGL, 30P-STGL-LX,
40P-STGL, 40P-STGL-LX, 30P-STGM, 30P-STGM-LX, 40P-STGM, 40P-STGM-LX

FIGURE 4

OPTIONAL MOTOR TILT COMPONENTS (LX MODELS)



PARTS LIST, GAS FIRED FRYING & BRAISING PANS, MODELS: 30P-STGL, 30P-STGL-LX,
40P-STGL, 40P-STGL-LX, 30P-STGM, 30P-STGM-LX, 40P-STGM, 40P-STGM-LX

FIGURE 4

OPTIONAL MOTOR TILT COMPONENTS (LX MODELS)

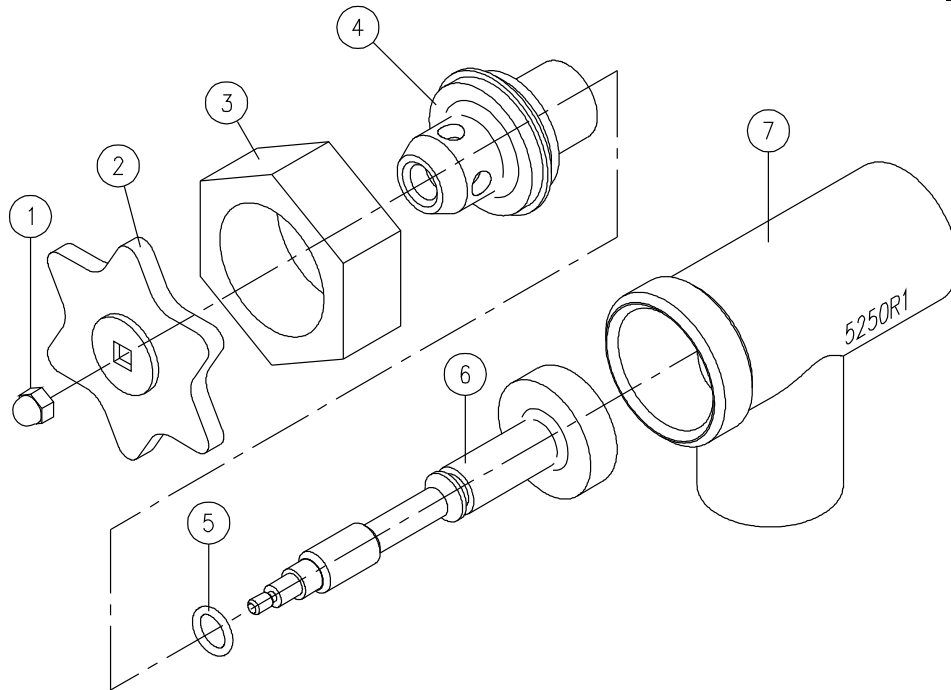
<u>ITEM</u>	<u>PART NO.</u>	<u>DESCRIPTION</u>	<u>QUANTITY</u>	
	1.	9179-1	Tilt Switch	1
	2.	9032-7	Spring Tension Pin (2-T6U5)	1
	3.	9191-1	Universal Joint	1
	4.	9061-9	Set Screw	2
	5.	7599-1	Motor Mounting Bracket	1
**	6.	M50S-51618-34	Hex HD Screw	3
		F101X-516	Flat Washer	3
		S01X-516	Lock Washer	3
**	7.	9181-1	Motor, 1/20 HP, 115V	1
		9181-2	Motor, 1/20 HP, 230V	1
**	8.	9192-1	Capacitor, (120V Motor)	1
		9192-2	Capacitor, (230V Motor)	1
	9.	7608-1	Motor Access Panel	1
	10.	M50S-1420-12	Hex HD Screw	2
	11.	5673-1	Switch Mounting Bracket	1
	12.	M12C-632-1	Round Head Screw	4
	13.	9228-1	Limit Switch (4-M605)	2
	14.	5674-1	Cam Actuator	1
	15.	9061-4	Set Screw	2
* **	16.	9173-1	Fuse, 3/4 Amp Time Delay (120V Motor)	1
		9173-2	Fuse, 0.3A Time Delay, 250V (230V Motor)	1
		9068-1	Fuse Holder	1

* NOT SHOWN.

** SELECT AS REQUIRED.

PARTS LIST, GAS FIRED FRYING & BRAISING PANS, MODELS: 30P-STGL, 30P-STGL-LX, 40P-STGL, 40P-STGL-LX, 30P-STGM, 30P-STGM-LX, 40P-STGM, 40P-STGM-LX

FIGURE 5



<u>ITEM</u>	<u>PART NO.</u>	<u>DESCRIPTION</u>	<u>QUANTITY</u>
	4136-1	2" DRAW-OFF VALVE ASSEMBLY (3-D020)	
1.	9031-3	Acorn Nut, 10 -24 UNC	1
2.	4115-1	Handle	1
3.	4216-1	Gland Nut (3-DV23)	1
4.	4215-1	Bonnet (3-DV24)	1
5.	9207-1	"O" Ring (3-DV26)	1
6.	4217-1	Stem Assembly (3-DV25RV)	1
7.	4218-1	Valve Body (3-DV27)	1
* 8.	7580-1	Draw-Off Strainer, Optional	1

* NOT SHOWN