



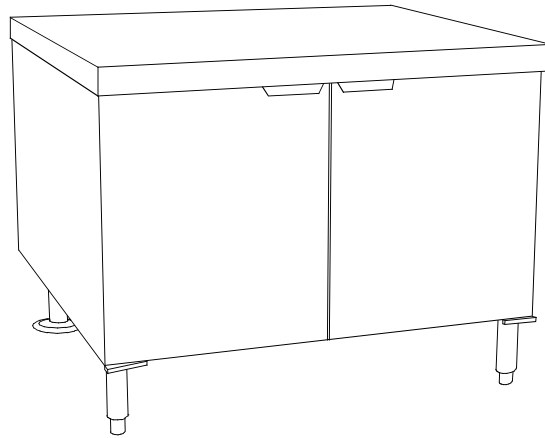
IMPORTANT FOR FUTURE REFERENCE
 Please complete this information and retain this manual for the life of the equipment:

Model #: _____
 Serial #: _____
 Date Purchased: _____

PARTS LIST

9`YWf]WSteam ; YbYfUrcf`]b`7 UV]bYhi6 UgY


79!& ``79!' * ``79!(& ``79!(, ``79!' & ``79!' ' * ``79!' (& ``79!' (,



 **WARNING**

Improper installation, adjustment, alteration, service or maintenance can cause property damage, injury or death. Read the installation, operating and maintenance instructions thoroughly before installing or servicing this equipment.

CROWN FOOD SERVICE EQUIPMENT

 A Middleby Company

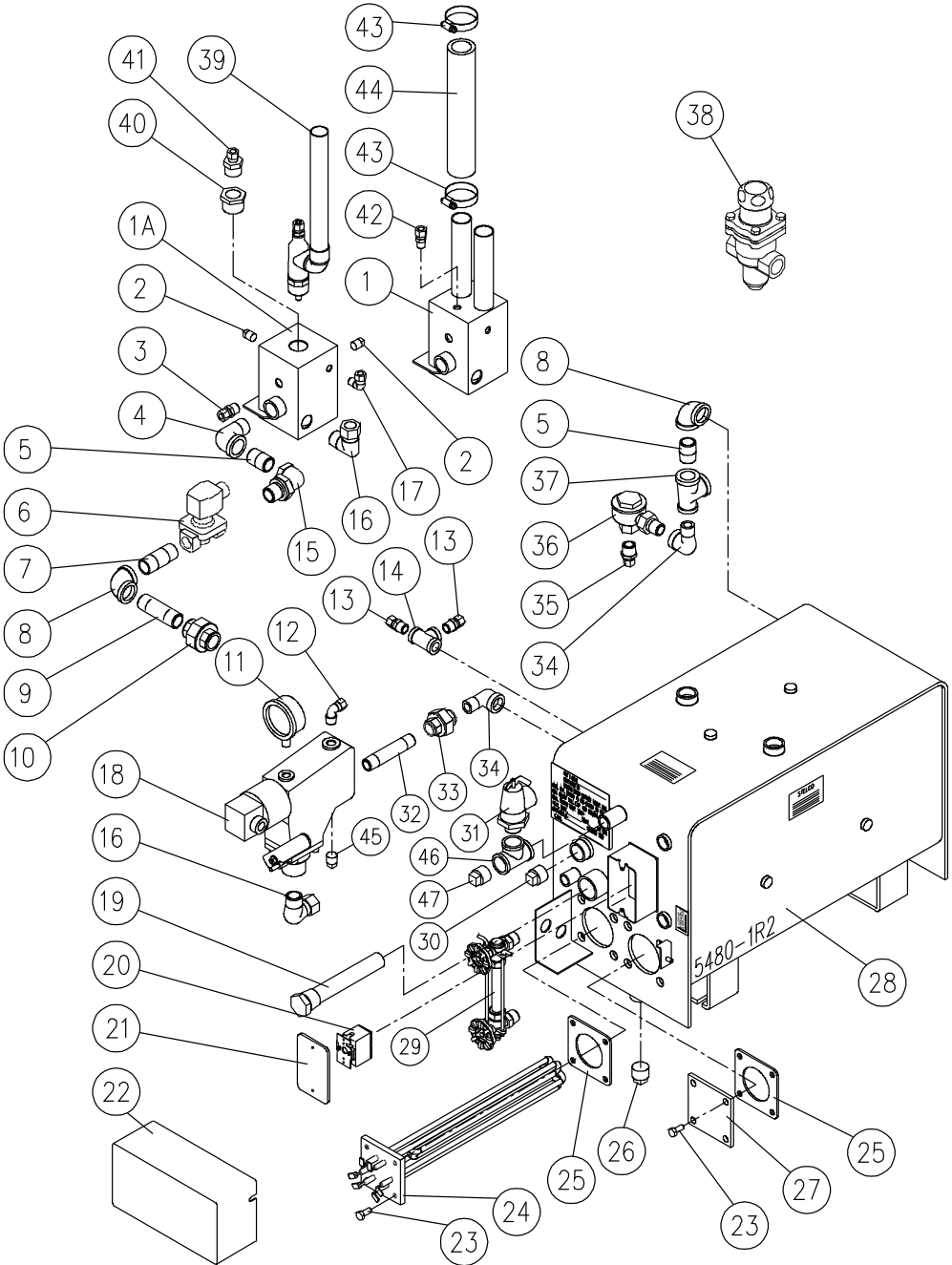
70 Oakdale Road, Downsview (Toronto) Ontario, Canada, M3N 1V9
 Telephone: 919-762-1000 www.crownsteamgroup.com

Printed in Canada



PARTS LIST, ELECTRIC BOILERS,
 MODELS CE24, CE36, CE42, CE48, CE324, CE336, CE342, CE348

FIGURE 1



PARTS LIST, ELECTRIC BOILERS,
MODELS CE24, CE36, CE42, CE48, CE324, CE336, CE342, CE348

FIGURE 1

<u>ITEM</u>	<u>PART NO.</u>	<u>DESCRIPTION</u>	<u>QUANTITY</u>
**	1. 6474-1	Appliance Drain (Pressureless Cooker)	1
	1A. 6475-1	Appliance Drain	1
	2. 9035-2	Square Plug 1/4 NPT	1
	3. 3-686C	Connector, 3/8C x 3/8 NPT	1
	4. 9012-4	Street Elbow, 3/4 NPT 150 #	1
	5. 9090-000	Close Nipple, 3/4"	2
* **	6. 3-BVE0	Ball Valve	1
	3-S567	Blowdown Solenoid (Optional)	1
	7. 9090-024	Nipple, 3/4 x 2-1/2"	1
	8. 9011-4	Elbow, 3/4", 150 #	2
	9. 9090-030	Nipple, 3/4 x 3"	1
	10. 9015-4	Ground Joint Union 3/4", 150 #	1
	11. 3-PG30	Pressure Gauge, 30 PSI	1
	12. 3-696C	Elbow, 3/8C x 3/8 NPT	1
	13. 3-686C	Connector, 3/8C x 3/8 NPT	2
	14. 9013-2	Tee 3/8", 150 #	1
	15. 3-U6BE	Union Elbow, 3/4"	1
	16. 3-6912E	Elbow, 3/4C x 3/4 NPT	1
	17. 3-696B	Elbow, 3/8C x 1/4 NPT	1
	18. 4-WC67	Water Level Control	1
*	8-6023	Float	1
*	8-6022	Switch	1
*	8-6020	Round Gasket	1
*	18. 8-6021	Square Gasket	1

PARTS LIST, ELECTRIC BOILERS,
MODELS CE24, CE36, CE42, CE48, CE324, CE336, CE342, CE348

<u>ITEM</u>	<u>PART NO.</u>	<u>DESCRIPTION</u>	<u>QUANTITY</u>
*	8-6026	Blowdown Valve	1
**	19. 9-3441	Anode-Screw Type	1
*	8-6011E	Anode	1
	20. 9128-1	High Limit Thermostat	1
*	M19C-632-14	Screw, 6 - 32 x 1/4	2
	21. 9-2001	High Limit Box Cover	1
	22. 2830-1	Element Cover	1
	23. M50S-51618-34	Hex Bolt, 5/16 - 18 x 3/4	4 Per Element
**	24. 7-5031	Element, 24 kW, 208V	1
	7-5032	Element, 24 kW, 240 (415) V	1
	7-5033	Element, 24 kW, 277 (480) V	1
	7-5037	Element, 24 kW, 220 (380) V	1
	9-3299	Element, 24 kW, 347 (600) V	1
UNITS RATED AT THE FOLLOWING kW REQUIRE TWO ELEMENT ASSEMBLY AS LISTED BELOW:			
	7-5027	Element, (18 kW), 36 kW, 208V	2
	7-5028	Element, (18 kW), 36 kW, 220 (380) V	2
	7-5029	Element, (18 kW), 36 kW, 240 (415) V	2
	7-5030	Element, (18 kW), 36 kW, 277 (480) V	2
	9-3298	Element, (18 kW), 36 kW, 347 (600) V	2
	7-5027	Element, (18 kW), 42 kW, 208V	1
	7-5031	Element, (24 kW), 42 kW, 208V	1
**	24. 7-5028	Element, (18 kW), 42 kW, 220 (380) V	1

PARTS LIST, ELECTRIC BOILERS,
MODELS CE24, CE36, CE42, CE48, CE324, CE336, CE342, CE348

<u>ITEM</u>	<u>PART NO.</u>	<u>DESCRIPTION</u>	<u>QUANTITY</u>	
	7-5037	Element, (24 kW), 42 kW, 220 (380) V	1	
	7-5029	Element, (18 kW), 42 kW, 240 (415) V	1	
	7-5032	Element, (24 kW), 42 kW, 240 (415) V	1	
	7-5030	Element, (18 kW), 42 kW, 277 (480) V	1	
	7-5033	Element, (24 kW), 42 kW, 277 (480) V	1	
	9-3298	Element, (18 kW), 42 kW, 347 (600) V	1	
	9-3299	Element, (24 kW), 42 kW, 347 (600) V	1	
	7-5032	Element, (24 kW), 48 kW, 240 (415) V	2	
	7-5037	Element, (24 kW), 48 kW, 220 (380) V	2	
	7-5033	Element, (24 kW), 48 kW, 277 (480) V	2	
	9-3299	Element, (24 kW), 48 kW, 347 (600) V	2	
25.	5986-1	Element Gasket	2	
26.	9035-5	Square Plug 3/4"	1	
**	27.	9-3356	Blank Plate	1
*		9-3370	Mounting Plate complete with Anode (8-6011E)	1
28.	8-1600	Boiler Shell	1	
29.	5395-1	Water Gauge Valves Set	1	
*		9108-2	Water Gauge Glass - 4-3/4"	1
*		8-6016	Rods	2
*		8-6018	Rubber Washers	2
*		8-6019	Brass Washers	2
30.	9035-5	Square Head Plug, 3/4 NPT	1	
31.	3-SRV3	Relief Valve, 15 PSI	1	

PARTS LIST, ELECTRIC BOILERS,
MODELS CE24, CE36, CE42, CE48, CE324, CE336, CE342, CE348

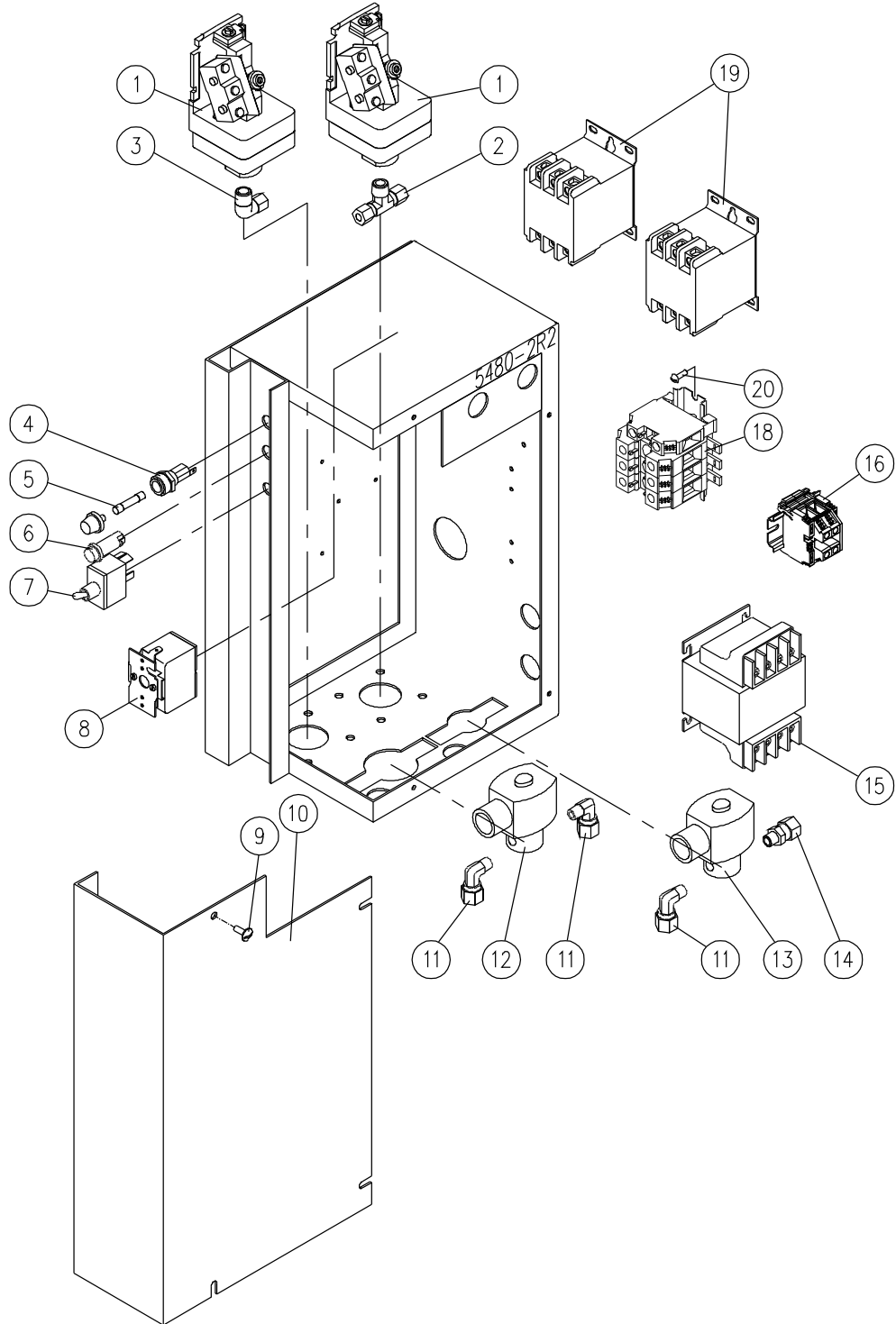
<u>ITEM</u>	<u>PART NO.</u>	<u>DESCRIPTION</u>	<u>QUANTITY</u>	
32.	9072-040	Nipple, 1/2 x 4" Brass	1	
33.	9015-3	Ground Joint Union 1/2", 150 #	1	
34.	9012-3	Street Elbow, 1/2", 150#	2	
35.	3-686D	Connector, 3/8C x 1/2 NPT	1	
36.	9170-1	Steam Trap, 1/2"	1	
37.	9013-12	Tee, 3/4 x 1/2 x 3/4, 150 #	1	
38.	9361-1	Pressure Regulator, 2-25 PSI (Pressure Cooker)	1	
39.	5388-1	Drain Assembly (Pressure Cooker)	1	
40.	9033-1	Reducer Bushing 1 x 3/4 NPT	1	
41.	3-686C	Connector, 3/8C x 3/8 NPT	1	
42.	3-686B	Connector, 3/8C x 1/4 NPT	1	
43.	9017-5	Gear Clamp	4	
**	44.	9-3296	Drain Hose, 10", (Pressureless Cookers)	2
		9-3296-1	Drain Hose, 20", (Pressureless Cookers)	2
		9-3296-2	Drain Hose, 15", (Pressureless Cookers)	2
45.	9035-3	Square Head Plug, 3/8 NPT	1	
46.	3-101E	Forged Tee, Brass, 3/4 FPT	1	
47.	3-109E	Square Head Plug, Brass, 3/4 NPT	1	

* NOT SHOWN.

** SELECT AS REQUIRED.

PARTS LIST, ELECTRIC BOILERS,
MODELS CE24, CE36, CE42, CE48, CE324, CE336, CE342, CE348

STANDARD CONTROLS



PARTS LIST, ELECTRIC BOILERS,
MODELS CE24, CE36, CE42, CE48, CE324, CE336, CE342, CE348

FIGURE 2

<u>ITEM</u>	<u>PART NO.</u>	<u>DESCRIPTION</u>	<u>QUANTITY</u>	
1.	9339-1	Pressure Switch complete with Transducer	2	
2.	3-724B	Tee, 1/4C x 1/4 NPT	1	
3.	3-696B	Elbow, 3/8C x 1/4 NPT	1	
4.	9093-1	Fuse Holder	1	
**	5.	9092-2	Fuse, 2 Amp., 250V	1
	6.	4-PL04	Pilot Light - Green	1
	7.	9110-1	ON/OFF Switch	1
	8.	4-TH04	Condensate Thermostat	1
	9.	M19C1032-14	Screw, 10 - 32 x 1/4	4
	10.	8-1244-1	Control Box Cover	1
	11.	3-696A	Elbow, 3/8C x 1/8 NPT	3
	12.	9308-1	Water Fill Valve	1
**	13.	9310-1	Condensate Valve	1
		9308-1	Condensate Valve, ECX-16	1
	14.	3-686A	Connector, 3/8C x 1/8 NPT	1
**	15.	4-T256	Transformer, 208/120V, 60 Hz, 200VA	1
		4-T253	Transformer, 220/110V, 50/60 Hz, 200VA	1
		4-T253	Transformer, 240/120V, 50/60 Hz, 200VA	1
		4-T254	Transformer, 380/120V, 50/60 Hz, 200VA	1
		4-T254	Transformer, 415/120V, 50/60 Hz, 200VA	1
		4-T253	Transformer, 480/120V, 50/60 Hz, 200VA	1
		4694-200	Transformer, 600/120V, 60 Hz, 200VA	1
	16.	9390-2	Modular Terminal Assembly, 2 Poles	1
		Includes the following parts:		

PARTS LIST, ELECTRIC BOILERS,
MODELS CE24, CE36, CE42, CE48, CE324, CE336, CE342, CE348

<u>ITEM</u>	<u>PART NO.</u>	<u>DESCRIPTION</u>	<u>QUANTITY</u>
	9391-1	Modular Terminal	2
	9392-1	End Plate	1
	9393-1	End Clamp	2
	9394-053	Mounting Rail, 53 mm	1
* ** 17.	9068-1	Fuse Holder, 25A, 300V, 208-240V Units	2
	9002-1	Fuse Holder, 30A, 600V, 380-600V Units	2
* **	9092-2	Fuse, 250V, 2A, 208-240V Units	2
	9001-3	Fuse, 600V, 1A, 380-600V Units	2
** 18.	6160-3	Modular Terminal Assy, 3 Pole w/Ground	1
		Includes following parts:	
	9367-1	Terminal, Beige	3
	9367-2	Terminal, Blue	1
	9370-1	Terminal, Ground	1
	9369-1	End Clamp	1
	9368-098	Mounting Rail	1
	6160-4	Modular Terminal Assembly, 4 Pole with Ground	1
		Includes the following parts:	
	9367-1	Terminal, Beige	3
	9370-1	Terminal, Ground	1
	9369-1	End Clamp	1
	9368-098	Mounting Rail, 98 mm	1
** 19.	9348-120	Contactora, 24 kW, 208, 220, 240V	2
	9348-120	Contactora, 24 kW, 380, 415, 480, 600 380/220, 415/240V	1

PARTS LIST, ELECTRIC BOILERS,
 MODELS CE24, CE36, CE42, CE48, CE324, CE336, CE342, CE348

<u>ITEM</u>	<u>PART NO.</u>	<u>DESCRIPTION</u>	<u>QUANTITY</u>	
**	19.	9349-120	Contactora, 36 kW, 208, 220, 240V	2
		9349-120	Contactora, 36 kW, 380, 415, 380/220, 415/240V	1
		9348-120	Contactora, 36 kW, 480, 600V	1
		9349-120	Contactora, 42 kW, 208, 220, 240V	2
		9349-120	Contactora, 42 kW, 380, 415, 480, 380/220, 415/240V	1
		9348-120	Contactora, 42 kW, 600V	1
		9349-120	Contactora, 48 kW, 240V	2
		9349-120	Contactora, 48 kW, 380, 415, 480, 380/220, 415/240V	1
	20.	M19C-832-14	Screw, 8-32 x 1/4	2

* NOT SHOWN.

** SELECT AS REQUIRED.

PARTS LIST, ELECTRIC BOILERS,
MODELS CE24, CE36, CE42, CE48, CE324, CE336, CE342, CE348

CSD-1 CONTROL BOX

FIGURE 3

<u>ITEM</u>	<u>PART NO.</u>	<u>DESCRIPTION</u>	<u>QUANTITY</u>
1.	9339-1	Pressure Switch complete with Transducer	2
2.	3-724B	Tee, 1/4C x 1/4 NPT	1
3.	3-694B	Elbow, 1/4C x 1/4 NPT	1
4.	4-TH04	Condensate Thermostat	1
5.	9093-1	Fuse Holder	1
** 6.	9092-2	Fuse, 2 Amp., 250V	1
7.	4-PL04	Pilot Light, Green	1
8.	9110-1	ON/OFF Switch	1
9.	6558-1	Control Panel	1
10.	6590-1	Control Decal	1
11.	4-PL07	Pilot Light, Red	3
12.	4-PL06	Pilot Light, Amber	1
13.	8-6012	Reset Switch	1
14.	M19C1032-14	Screw 10-32 x 1/4	4
15.	4611-1	Control Box Cover	1
16.	3-696A	Elbow, 3/8C x 1/8 NPT	3
17.	9308-1	Water Fill Valve	1
** 18.	9310-1	Condensate Valve	1
	9308-1	Condensate Valve, SCX-16	1
19.	3-686A	Connector, 3/8C x 1/8 NPT	1
** 20.	4-T256	Transformer, 208/120, 60 Hz, 200VA	1
	4-T253	Transformer, 220/110, 50/60 Hz, 200VA	1
** 20.	4-T253	Transformer, 240/120, 50/60 Hz, 200VA	1

PARTS LIST, ELECTRIC BOILERS,
MODELS CE24, CE36, CE42, CE48, CE324, CE336, CE342, CE348

<u>ITEM</u>	<u>PART NO.</u>	<u>DESCRIPTION</u>	<u>QUANTITY</u>
	4-T254	Transformer, 380/120, 50/60 Hz, 200VA	1
	4-T254	Transformer, 415/120, 50/60 Hz, 200VA	1
	4-T253	Transformer, 480/120, 50/60 Hz, 200VA	1
	4694-200	Transformer, 600/120, 60 Hz, 200VA	1
**	21.	9390-2 Terminal Block Assembly, 2 Pole	1
		Includes the following parts:	
		9391-1 Modular Terminal	2
		9392-1 End Plate	1
		9393-1 End Clamp	2
		9394-053 Mounting Rail	1
* **	22.	9068-1 Fuse Holder, 25A, 300V, 208-240V Units	2
		9002-1 Fuse Holder, 30A, 600V, 380-600V Units	2
		9092-2 Fuse, 2A, 250V, 208-240V Units	2
		9001-3 Fuse, 1A, 600V, 380-600V Units	2
**	23.	6160-3 Modular Terminal Assembly, 3 Pole with Ground, 208-204, 380, 415, 480, 600V	1
		Includes the following parts:	
		9367-1 Terminal, Beige	3
		9370-1 Terminal, Ground	1
		9369-1 End Clamp	1
		9368-098 Mounting Rail, 98 mm	1
		6160-4 Modular Terminal Assembly, 4 Pole with Ground, 380/220, 415/240V	
		Includes the following parts:	
		9367-1 Terminal, Beige	3
		9367-2 Terminal, Blue	1

PARTS LIST, ELECTRIC BOILERS,
 MODELS CE24, CE36, CE42, CE48, CE324, CE336, CE342, CE348

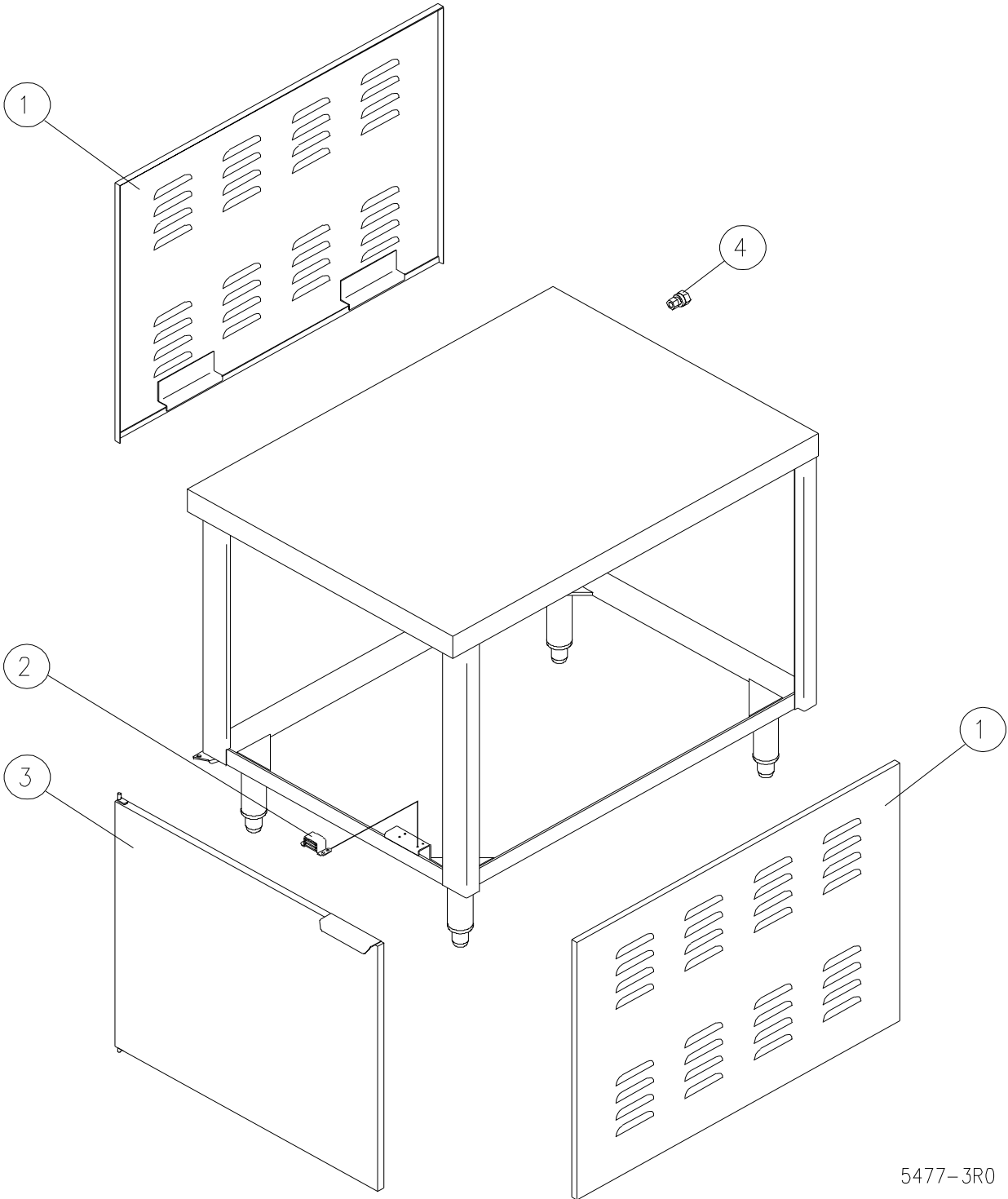
<u>ITEM</u>	<u>PART NO.</u>	<u>DESCRIPTION</u>	<u>QUANTITY</u>	
	9370-1	Terminal, Ground	1	
	9369-1	End Clamp	1	
	9368-098	Mounting Rail	1	
24.	4-WC80	Level Control, Low Water Cut Off	1	
	4-WP80	Probe	1	
25.	9332-1	Relay DPDT (Single Pole in Use)	2	
**	26.	9348-120	Contactor, 24 kW, 208, 220, 240V	2
		9348-120	Contactor, 24 kW, 380, 415, 480, 600, 380/220, 415/240V	1
		9349-120	Contactor, 36 kW, 208, 220, 240V	2
		9349-120	Contactor, 36 kW, 380, 415, 380/220, 415/240V	1
		9348-120	Contactor, 36 kW, 480, 600V	1
		9348-120	Contactor, 42 kW, 600V	1
		9349-120	Contactor, 48 kW, 240V	2
		9349-120	Contactor, 48 kW, 380, 415, 480, 380/220, 415/240V	1
27.	M19C-832-14	Round HD Screw #8-32 UNC x 1/4	2	

* NOT SHOWN.

** SELECT AS REQUIRED.

PARTS LIST, ELECTRIC BOILERS,
MODELS CE24, CE36, CE42, CE48, CE324, CE336, CE342, CE348

FIGURE 4



5477-3R0

PARTS LIST, ELECTRIC BOILERS,
 MODELS CE24, CE36, CE42, CE48, CE324, CE336, CE342, CE348

FIGURE 4

CABINET 28" HEIGHT

<u>ITEM</u>	<u>PART NUMBER</u>	<u>DESCRIPTION</u>	<u>WIDTH</u>		
			<u>24"</u>	<u>36"</u>	<u>48"</u>
1.	3563-1	Side Panel	2	2	2
2.	5-MC02	Magnet Catch	1	2	2
	1-11C2	Catch Screw	4	8	8
3.	3373-1	Cabinet Door	1		
*	8-1303	Right Hand Door		1	
*	8-1304	Left Hand Door		1	
*	9-3368-1	Right Hand Door			1
*	9-3369-1	Left Hand Door			1
4.	3-666D	Water Connection	1	1	1

PARTS LIST, ELECTRIC BOILERS,
MODELS CE24, CE36, CE42, CE48, CE324, CE336, CE342, CE348

CABINET 32" HEIGHT

FIGURE 4

<u>ITEM</u>	<u>PART NO.</u>	<u>DESCRIPTION</u>	<u>WIDTH</u>					
			<u>24"</u>	<u>36"</u>	<u>42"</u>	<u>44"</u>	<u>48"</u>	<u>60"</u>
1.	8-1305-1	Side Panel	2	2	2	2	2	2
2.	5-MC02	Magnetic Catch	1	2	2	2	2	3
	1-11C2	Catch Screws	4	8	8	8	8	12
3.	8-1932-1	Door	1					
*	8-1303-1	Right Hand Door		1				
*	8-1304-1	Left Hand Door		1				
*	9-3368-6	Right Hand Door			1			
*	9-3369-5	Left Hand Door			1			
*	9-3368	Right Hand Door				1		
*	9-3369	Left Hand Door				1		
*	9-3368-5	Right Hand Door					1	
*	9-3369-4	Left Hand Door					1	
*	9-3368-3	Right Hand Door						1
*	9-3369-3	Left Hand Door						1
*	9-3368-4	Centre Door						1
4.	3-666D	Water Connection		1	1	1	1	1

* NOT SHOWN.