



IMPORTANT FOR FUTURE REFERENCE

Please complete this information and retain this manual for the life of the equipment:

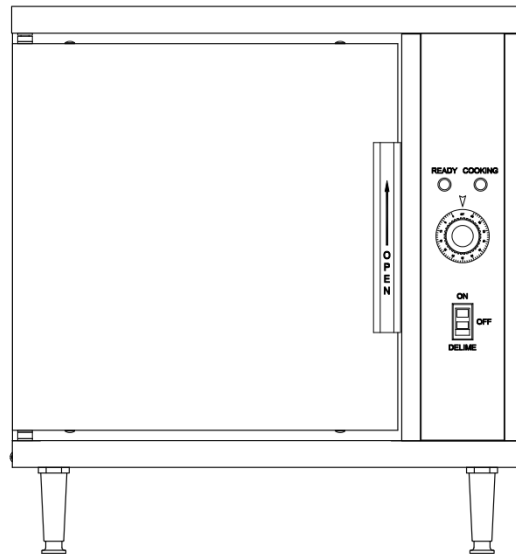
Model #: _____

Serial #: _____

Date Purchased: _____

PARTS LIST


Electric Counter Convection Steamer SX-3 SX-5



WARNING

Improper installation, adjustment, alteration, service or maintenance can cause property damage, injury or death. Read the installation, operating and maintenance instructions thoroughly before installing or servicing this equipment.

CROWN FOOD SERVICE EQUIPMENT

 A Middleby Company

70 Oakdale Road, Downsview (Toronto) Ontario, Canada, M3N 1V9

Telephone: 919-762-1000

www.crownsteamgroup.com

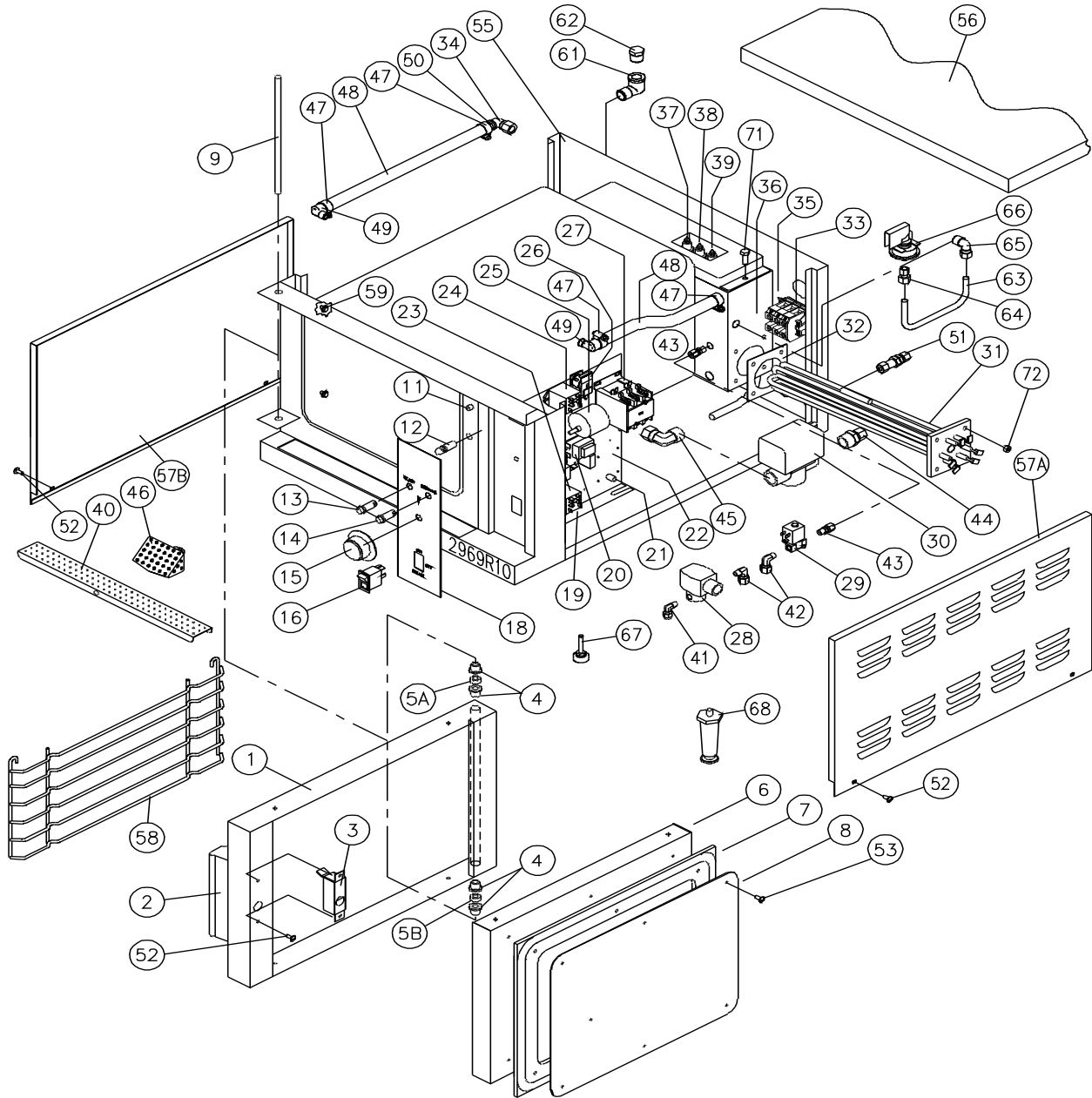
Printed in Canada



PARTS LIST, COUNTER CONVECTION STEAMERS, MODELS SX-3, SX-5

GENERAL ASSEMBLY

FIGURE 1



PARTS LIST, COUNTER CONVECTION STEAMERS, MODELS SX-3, SX-5

<u>ITEM</u>	<u>PART NUMBER</u>	<u>DESCRIPTION</u>	<u>QUANTITY</u>		
			<u>SX-3</u>	<u>SX-5</u>	
*	1A.	8-5076-9	Door Assembly	1	
		8-5076-8	Door Assembly		1
	1.	8-5060-9	Door Frame	1	
		8-5060-8	Door Frame		1
	2.	3903-2	Door Handle Assembly	1	1
*		3646-1	Decal	1	1
*		4090-2	Door Handle	1	1
*		4089-2	Door Handle Plate	1	1
*		M68S-1420-134	Hex Socket Cap Screw, 1/4-20 UNC x 1-3/4 Lg.	2	2
*		M68S-1420-34	Hex Socket Hd. Screw, 1/4-20 UNC x 3/4 Lg.	1	1
*		4088-1	Spacer, Door Handle	2	2
*		S05N-14	Lock Washer, 1/4	2	2
*		9030-1	Hex Nut, 1/4 - 20	2	2
	3.	8-5068-9	Latch Assembly	1	1
	4.	8-5078	Door Bushing	4	4
	5A.	5716-1	Spacer - Door Upper	1	1
	5B.	5717-1	Spacer - Door Lower	1	1
	6.	8-5065-9	Door Panel	1	
		8-5065-8	Door Panel		1
	7.	8-5063-9	Door Gasket	1	
		8-5063-8	Door Gasket		1
	8.	8-5064-9	Gasket Plate	1	
		8-5064-8	Gasket Plate		1

PARTS LIST, COUNTER CONVECTION STEAMERS, MODELS SX-3, SX-5

<u>ITEM</u>	<u>PART NUMBER</u>	<u>DESCRIPTION</u>	<u>QUANTITY</u>		
			<u>SX-3</u>	<u>SX-5</u>	
	9.	8-5077-9	Hinge Rod	1	
		8-5077-8	Hinge Rod		1
*	10.	5655-2	Steam Diverter Replacement Kit	2	2
	11.	9-3336	Actuator Complete With Retaining Rings	1	1
		9-3213	Limit Switch	1	1
	12.	8-5021	Striker	1	1
*		8-5022	Front Spacer	1	1
*		S05N-12	Lock Washer	1	1
*		1-89S0	Nut, 1/2-20 UNF, Stainless Steel	1	1
	13.	4-PL04-1	Pilot Light, Green	1	1
	14.	4-PL07-1	Pilot Light, Red	1	1
**	15.	4103-1	Timer Dial - 60 Minutes, 50 Hz, Optional	1	1
		4104-1	Timer Dial - 60 Minutes, 60 Hz	1	1
		9387-1	Timer Knob - 120 Minutes, 60 Hz, Optional	1	1
	16.	9124-1	Power Switch	1	1
*	17.	4195-3	Label, De-Lime (Rear of Unit)	1	1
**	18.	7219-1	Control Decal	1	
		7820-1	Control Decal - Continuous Steam, Optional	1	
		7344-1	Control Decal		1
		7821-1	Control Decal - Continuous Steam, Optional		1
	19.	2958-1	Component Mounting Board	1	1
**	20.	4038-3	Level Control Board, 10K OHM	1	1
		5230-2	Level Control Board, 1M OHM	2	2
	21.	9126-1	Thermostat - Operating	1	1

PARTS LIST, COUNTER CONVECTION STEAMERS, MODELS SX-3, SX-5

<u>ITEM</u>	<u>PART NUMBER</u>	<u>DESCRIPTION</u>	<u>QUANTITY</u>		
			<u>SX-3</u>	<u>SX-5</u>	
22.	9128-1	High Limit Thermostat	1	1	
23.	9332-2	Relay - DPDT, 240V, (Single Pole in Use)	1	1	
24.	9332-2	Relay - DPDT, 240V	1	1	
**	25.	4-T209-1	Timer, 60 Minutes, 240V	1	1
		9386-2	Timer, 120 Minutes, 240V, Optional	1	1
*		9109-1	Rotary Shaft Seal	1	1
	26.	4742-1	Buzzer, 230V	1	1
**	27.	4-CG42-1	Contactator - 4 Pole, 208, 220, 240V	1	1
		9348-208	Contactator - 3 Pole, 380, 415, 480, 600V 380/220, 415/240	1	1
	28.	3-S162-1	Cooling Solenoid, 240V	1	1
	29.	5162-2	Fill Solenoid, 240V	1	1
	30.	3-S543-1	Blowdown Solenoid, 240V	1	1
**	31.	8-5208	Element Assembly, 7.5 kW, 208V	1	
		8-5220	Element Assembly, 7.5 kW, 220 (380)V	1	
		8-5240	Element Assembly, 7.5 kW, 240 (415)V	1	
		8-5287	Element Assembly, 7.5 kW, 480 (277)V	1	
		8-5347	Element Assembly, 7.5 kW, 600 (347)V	1	
		8-5050	Element Assembly, 10 kW, 208V	1	
		8-5056	Element Assembly, 10 kW, 220 (380)V	1	
		8-5051	Element Assembly, 10 kW, 240 (415)V	1	
		8-5052	Element Assembly, 10 kW, 480 (277)V	1	
		8-5347-1	Element Assembly, 10 kW, 600 (347)V	1	
		2349-1208	Element Assembly, 12 kW, 208V		1
		2349-1220	Element Assembly, 12 kW, 220 (380)V		1
		2349-1240	Element Assembly, 12 kW, 240 (415)V		1

PARTS LIST, COUNTER CONVECTION STEAMERS, MODELS SX-3, SX-5

<u>ITEM</u>	<u>PART NUMBER</u>	<u>DESCRIPTION</u>	<u>QUANTITY</u>	
			<u>SX-3</u>	<u>SX-5</u>
**	31.	2349-1277	Element Assembly, 12 kW, 480 (277)V	1
		2349-1247	Element Assembly, 12 kW, 600 (347)V	1
		8-5053	Element Assembly, 15 kW, 208V	1
		8-5054	Element Assembly, 15 kW, 220/380V	1
		8-5055	Element Assembly, 15 kW, 240/415V	1
		8-5057	Element Assembly, 15 kW, 480/277V	1
		8-5347-2	Element Assembly, 15 kW, 600/347V	1
	32.	8-5092	Element Gasket	1 1
**	33.	6161-3	Modular Terminal Assembly, 3 Pole, (208-240, 380, 415, 480, 600V) Includes the following parts:	1 1
		9374-1	Modular Terminal, Grey	3 3
		9375-1	End Plate	1 1
		9369-1	End Clamp	2 2
		9368-079	Mounting Rail, 79 mm	1 1
		6161-4N	Modular Terminal Assy, 3 Pole w/Neutral 380/220V, 415/240V Includes following parts:	1 1
		9374-1	Modular Terminal, Grey	3 3
		9374-2	Modular Terminal, Blue	1 1
		9375-1	End Plate	1 1
		9369-1	End Clamp	2 2
		9368-098	Mounting Rail	1 1
	34.	3-708B	Elbow 90°, Brass 1/2 C x 1/4 FPT	1 1
	35.	4-70EU	Ground Lug	1 1
*		4188-1	Earth I.D. Tag	1 1

PARTS LIST, COUNTER CONVECTION STEAMERS, MODELS SX-3, SX-5

<u>ITEM</u>	<u>PART NUMBER</u>	<u>DESCRIPTION</u>	<u>QUANTITY</u>		
			<u>SX-3</u>	<u>SX-5</u>	
36.	6947-1	Steam Generator Tank	1	1	
*	2906-1	Tank Cover	1	1	
*	9-3214	Tank Cover Gasket	1	1	
37.	3738-3	Probe - 5" Low Level Cut Off	1	1	
38.	3738-2	Probe - 4.25" Low Level	1	1	
39.	4-LLP2	Probe - 3.688" High Level	1	1	
40.	8-5023	Perforated Trough	1	1	
41.	3-694A	Elbow, 1/4 C x 1/8 MPT	1	1	
42.	3-696A	Elbow, 3/8 C x 1/8 MPT	2	2	
43.	3-684A	Connector, 1/4 C x 1/8 MPT	2	2	
44.	3-688E	Connector, 1/2 C x 3/4 MPT	1	1	
45.	3-698E	Elbow, 1/2 C x 3/4 MPT	1	1	
46.	5224-2	Compartment Strainer	1	1	
47.	9017-2	Gear Clamp	4	4	
48.	9268-100	Steam Hose, 1/2 x 10"	2	2	
49.	3-1398B	Hose Barb Elbow, 1/2 - 1/4 MPT	2	2	
50.	3-1258B	Hose Barb, Brass, 1/2 x 1/4 MPT	1	1	
51.	3-776	Water Connection, 3/8 C	2	2	
52.	M33S-1032-12	Screw, 10-32 x 1/2 SS	10	10	
53.	9-1011-1	Screw, (Special), 10-32 x 1/2	6	8	
*	54.	9096-1	Continuous Steam Switch (Optional)	1	1
	55.	8154-1	Back Panel	1	
		8156-1	Back Panel		1
*	55.	9084-1	Nut Cage, 1/4 - 20	2	2
	56.	2279-1	Top Panel	1	1

PARTS LIST, COUNTER CONVECTION STEAMERS, MODELS SX-3, SX-5

<u>ITEM</u>	<u>PART NUMBER</u>	<u>DESCRIPTION</u>	<u>QUANTITY</u>	
			<u>SX-3</u>	<u>SX-5</u>
**	57A. 9-3372	Removable Panel, Right Hand	1	
	9-3372-2	Removable Panel, Right Hand		1
**	57B. 2280-2	Removable Panel, Left Hand	1	
	2280-4	Removable Panel, Left Hand		1
	58. 2681-1	Rack Slides	2	
	2681-3	Rack Slides		2
	59. 4721-1	Rack Pin Assembly	6	6
*	60. 4204-3	Wire Harness, Load, 208-240V	1	1
	61. 3-116D	Forged Street Elbow, Brass, 1/2 NPT	1	1
	62. 3-121D	Hex HD Plug, Brass 1/2 NPT	1	1
	63. 5494-1	Pressure Switch Tube	1	1
	64. 3-666A	Connector, 3/8 C x 1/8 FPT	1	1
	65. 3-696C	Elbow 90°, 3/8 C x 3/8 MPT	1	1
	66. 5445-1	Pressure Switch	1	1
	67. 4148-1	Leveler	4	4
	68. 5-FS66	Adjustable Leg, Optional	4	4
* **	69. 9092-2	Fuse, 2 Amp., 250V (208, 220, 240V)	2	2
	9092-2	Fuse, 2 Amp., 250V (220/380, 240/415)	1	1
	9068-1	Fuse Holder (208, 220, 240V)	2	2
	9068-1	Fuse Holder (220/380, 240/415V)	1	1
	9001-2	Fuse, 600V, 1/2 A, (380 - 600V)	2	2
	9002-1	Fuse Holder (380, 415, 480, 600V)	2	2
* **	70. 4-T251	Transformer, 380/220V, 50/60 Hz, 100VA	1	1
	4-T251	Transformer, 415/240V, 50/60 Hz, 100VA	1	1
	4-T255	Transformer, 480/240V, 60 Hz, 100VA	1	1

PARTS LIST, COUNTER CONVECTION STEAMERS, MODELS SX-3, SX-5

<u>ITEM</u>	<u>PART NUMBER</u>	<u>DESCRIPTION</u>	<u>QUANTITY</u>	
			<u>SX-3</u>	<u>SX-5</u>
	4-T260	Transformer, 600/240V, 60 Hz, 100VA	1	1
71.	M50S-51618-1	Hex Bolt, 5/16-18 x 1 SS	2	2
72.	1-59S0	Hex Nut, 1/4 - 20 SS	4	4
* 73.	8-6009	"Y" Strainer, Optional	1	1

* NOT SHOWN.

** SELECT AS REQUIRED.