



IMPORTANT FOR FUTURE REFERENCE

Please complete this information and retain this manual for the life of the equipment:

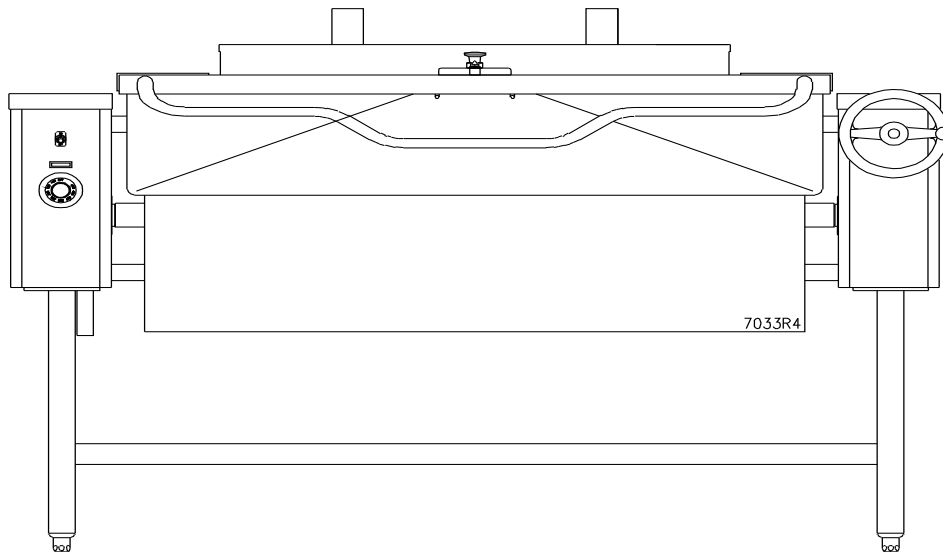
Model #: _____

Serial #: _____

Date Purchased: _____

PARTS LIST


Gas Tilting Skillets GTS-30 GTS-40



WARNING

Improper installation, adjustment, alteration, service or maintenance can cause property damage, injury or death. Read the installation, operating and maintenance instructions thoroughly before installing or servicing this equipment.

CROWN FOOD SERVICE EQUIPMENT

 A Middleby Company

70 Oakdale Road, Downsview (Toronto) Ontario, Canada, M3N 1V9

Telephone: 919-762-1000

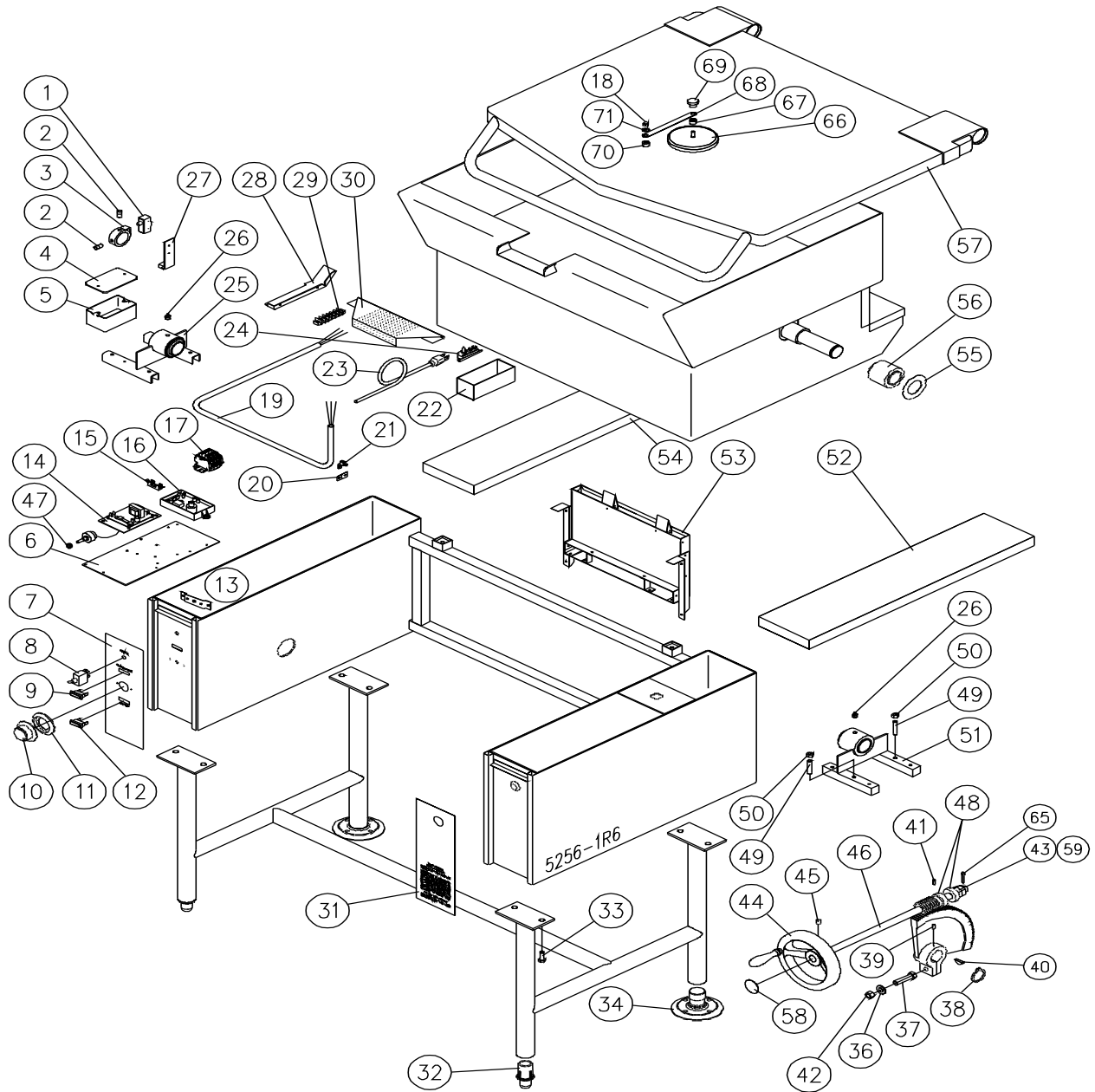
www.crownsteamgroup.com

Printed in Canada



PARTS LIST, GAS TILTING SKILLETS, MODELS: GTS-30, GTS-40

FIGURE 1



PARTS LIST, GAS TILTING SKILLETS, MODELS: GTS-30, GTS-40

<u>ITEM</u>	<u>PART NUMBER</u>	<u>DESCRIPTION</u>	<u>30</u>	<u>40</u>	
1.	4-M605	Microswitch	1	1	
2.	9025-1	Square Head Set Screw, 3/8 - 16 x 1/2"	2	2	
3.	3546-1	Actuator Collar (8-3087)	1	1	
4.	9051-1	Electrical Box Cover	1	1	
5.	9052-1	Electrical Box	1	1	
6.	7766-1	Component Mounting Plate	1	1	
7.	2856-1	Console Decal (9-3283)	1	1	
8.	9110-1	Power Switch	1	1	
9.	4996-2	Pilot Light, Temp. 125V	1	1	
**	10.	4352-1	Dial F °	1	1
		4689-1	Dial C °	1	1
11.	4-TB05	Bezel	1	1	
12.	4996-1	Pilot Light - Ignition, 125V	1	1	
13.	3691-1	Potentiometer Spacer	1	1	
14.	5555-1	Temperature Control Complete With Potentiometer, 120V	1	1	
**	15.	9068-1	Fuse Holder (120, 220V)	1	1
		9068-1	Fuse Holder (208, 240V)	2	2
		9092-3	Fuse 250V, 3 Amp. (120V)	1	1
		9092-1	Fuse 250V, 1 Amp. (220V)	1	1
		9092-1	Fuse 250V, 1 Amp (208, 240V)	2	2
16.	5373-2	Ignition Module	1	1	
*		4851-2	Ignition Module Wire Harness	1	1
17.	9390-2	Modular Terminal Assembly, 2 Poles	1	1	
		Includes the following parts:			

PARTS LIST, GAS TILTING SKILLETS, MODELS: GTS-30, GTS-40

<u>ITEM</u>	<u>PART NUMBER</u>	<u>DESCRIPTION</u>	<u>30</u>	<u>40</u>	
	9391-1	Modular Terminal	2	2	
	9392-1	End Plate	1	1	
	9393-1	End Clamp	2	2	
	9394-053	Mounting Rail, 53 mm	1	1	
18.	9031-5	Acorn Nut, 1/4 - 20 UNC	1	1	
**	19.	5219-3	Brass Tube Complete With Thermocouple, High Limit Lead Wires	1	
		5219-4	Brass Tube Complete With Thermocouple, High Limit Lead Wires		1
*		9288-60	Thermocouple Only	1	1
20.	4188-1	Earth ID Tag	1	1	
21.	4-35EU	Ground Lug	1	1	
22.	5203-1	Hi Limit Cover Assembly	1	1	
23.	4127-3	Cord Set, 120V, 120" L	1	1	
24.	9-3021	Hi Limit Switch (536°F)	1	1	
25.	6960-1	Trunnion Housing Assembly	1	1	
	M50C-31618-58	Hex Bolt, 3/16 - 18 x 5/8"	4	4	
26.	4898-1	Grease Fitting, 1/8" NPT	2	2	
27.	3583-1	Limit Switch Bracket	1	1	
28.	4758-1	Terminal Block Enclosure	1	1	
29.	9-3332	Terminal Block	1	1	
30.	7380-1	Pour Lip Strainer	1	1	
31.	9-3284	Console Decal	1	1	
32.	5-FS64	Adjustable Foot	2	2	
33.	M50C-3816-1	Hex HD Screw, 3/8 - 16 x 1"	8	8	
34.	8-1308	Adjustable Flanged Foot	2	2	

PARTS LIST, GAS TILTING SKILLETS, MODELS: GTS-30, GTS-40

<u>ITEM</u>	<u>PART NUMBER</u>	<u>DESCRIPTION</u>	<u>30</u>	<u>40</u>	
35.	5393-1	Segment Gear and Worm Kit (Includes Items 36 to 42)	1	1	
36.	S01C-12	Lock Washer, 1/2"	1	1	
37.	9302-5	Hex Bolt, 1/2 - 13 x 2"	1	1	
38.	1-R315	Spring Clip	1	1	
39.	9061-4	Set Screw, 1/4 - 20 x 1/2"	1	1	
40.	1-K8U8	Key	1	1	
41.	2-T6U5	Tension Pin, 3/16" D x 1-1/4" L	1	1	
42.	1-99C0	Hex Nut, 1/2 - 13	1	1	
43.	2-HN66	Jam Nuts	2	2	
44.	8-2054	Hand Wheel	1	1	
	8-2054-1	Handle	1	1	
45.	9061-5	Set Screw, 3/8 - 16 x 1/2"	1	1	
46.	6738-1	Tilt Shaft	1	1	
47.	9109-2	Potentiometer Shaft Seal	1	1	
48.	5327-1	Thrust Bearing	2	2	
49.	9061-6	Set Screw, 3/8 - 16 x 1-3/4"	2	2	
50.	1-79C0	Hex Nut, 3/8 - 16	2	2	
51.	6952-1	Trunnion Housing Assembly	1	1	
	M50C-31618-58	Hex Bolt, 3/16 - 18 x 5/8"	4	4	
**	52.	3450-2	Right Hand Console Cover	1	1
		4902-1	Right Hand Console Cover for Faucet (Optional)	1	1
**	53.	6875-1	Flue Assembly	1	
		6874-1	Flue Assembly		1
	54.	4903-1	Left Hand Console Cover	1	1
	55.	3625-1	Washer	2	2

PARTS LIST, GAS TILTING SKILLETS, MODELS: GTS-30, GTS-40

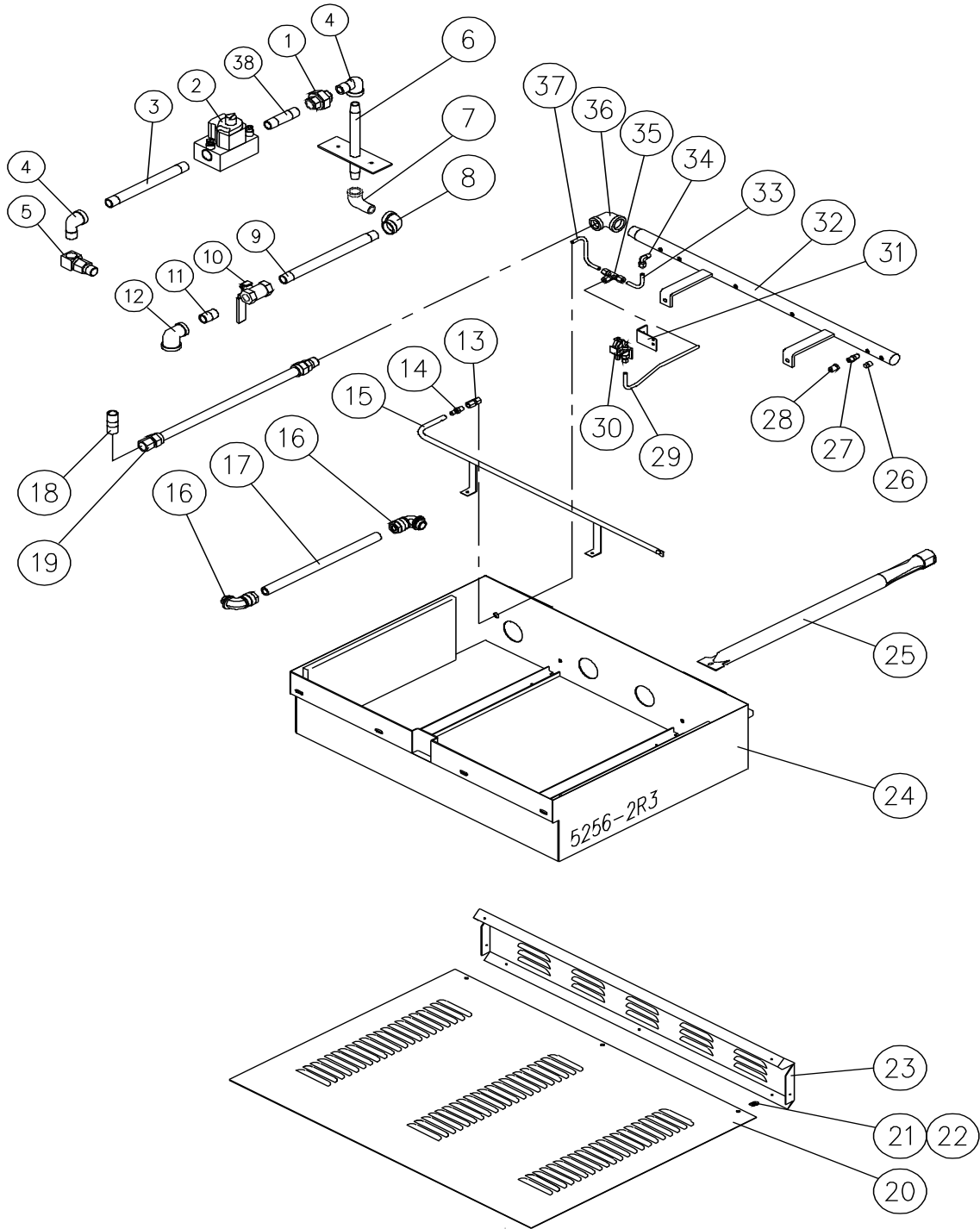
<u>ITEM</u>	<u>PART NUMBER</u>	<u>DESCRIPTION</u>	<u>30</u>	<u>40</u>
	56.	3462-1	Spacer	2 2
**	57	7381-2	Pan Cover Assembly with Vent	1
		7382-2	Pan Cover Assembly with Vent	1
	58.	5608-1	Tilt Label	1 1
	59.	5328-1	Washer, 3/4" ID x 1-1/4" OD	1 1
*	60.	3754-1	Transformer and Fuse Mounting Bracket	1 1
* **	61.	4-T265	Transformer, 220/240 - 120V	1 1
		4-T259	Transformer, 208/415 - 120V	1 1
* **	62.	4326-1	Double Pantry Faucet - 18" Spout	1 1
		4326-2	Double Pantry Faucet - 12" Spout	1 1
		4327-1	Single Pantry Faucet - 18" Spout	1 1
		4327-2	Single Pantry Faucet - 12" Spout	1 1
* **	63.	4763-1	Caster Complete With Brake	2 2
		4763-2	Caster Without Brake	2 2
*	64.	4343-1	Thermocouple Extension, 48"	1 1
	65.	5329-1	Cotter Pin, Stainless Steel, 3/16" x 1" L.	1 1
	66.	4139-1	Vent Cover	1 1
	67.	4355-1	Swivel Spacer	1 1
	68.	5817-1	Arm	1 1
	69.	9248-1	Knob	1 1
	70.	4355-1	Swivel Base	1 1
	71.	F05N-14	Flat Washer, 1/4"	1 1

* NOT SHOWN.

** SELECT AS REQUIRED.

PARTS LIST, GAS TILTING SKILLETS, MODELS: GTS-30, GTS-40

FIGURE 2



PARTS LIST, GAS TILTING SKILLETS, MODELS: GTS-30, GTS-40

FIGURE 2

<u>ITEM</u>	<u>PART NUMBER</u>	<u>DESCRIPTION</u>	<u>30</u>	<u>40</u>
1.	3-U4BE	Union Elbow, 1/2"	1	1
** 2.	5188-1	Combination Gas Control, 1/2", Natural Gas	1	1
	5188-2	Combination Gas Control, 1/2", LP Gas	1	1
3.	9009-142	Nipple, 1/2" x 14-1/4" Long	1	1
4.	9012-3	Street Elbow, 1/2"	1	1
5.	9196-1	Swivel Joint, 1/2"	1	1
6.	3581-1	Gas Inlet Assembly, 1/2"	1	1
7.	9012-3	90° ST. Elbow, 1/2"	1	1
8.	9011-3	90° Elbow, 1/2"	1	1
9.	9009-094	Nipple, 1/2" x 9-1/2" Long	1	1
10.	4918-1	Gas Shut Off Valve, 1/2"	1	1
11.	9009-000	Close Nipple, 1/2"	1	1
12.	9014-1	90° Reducing Elbow, 3/4" x 1/2"	1	1
13.	3-664A	Connector, 1/4 C x 1/8 FPT	1	1
** 14.	9-3335-56	Lighter Tube Orifice, #56, Natural Gas	1	1
	9-3335-72	Lighter Tube Orifice, #72, LP Gas	1	1
** 15.	2486-1	Lighter Tube Assembly	1	
	2488-1	Lighter Tube Assembly		1
16.	9018-1	Liquid Tite Elbow, 3/8"	2	2
17.	9020-1	Liquid Tite Conduit, 3/8"	1	1
18.	9009-020	Nipple, 1/2" x 2" Long	1	1
19.	9026-18	Gas Flex Hose	1	1
** 20.	6877-1	Bottom Cover	1	
	6876-1	Bottom Cover		1

PARTS LIST, GAS TILTING SKILLETS, MODELS: GTS-30, GTS-40

<u>ITEM</u>	<u>PART NUMBER</u>	<u>DESCRIPTION</u>	<u>30</u>	<u>40</u>
21.	9000-3	Spring Nut, 8-32	8	10
22.	1-23C2	Screw, 8-32 x 1/4"	8	10
** 23.	2493-1	Manifold Cover	1	
	2494-1	Manifold Cover		1
** 24.	7196-1	Burner Box	1	
	7197-1	Burner Box		1
25.	7227-2	Burner	4	6
26.	9035-1	Pipe Plug, 1/8" NPT	1	1
27.	3-122A	Orifice Nipple	4	6
** 28.	9-3351-44	Burner Orifice, Natural Gas	4	
	9-3351-55	Burner Orifice, LP Gas	4	
	9-3351-56	Burner Orifice, LP Gas		6
	9-3351-47	Burner Orifice, Natural Gas		6
29.	5264-1	Burner Pilot Inlet Tube	1	1
** 30.	5171-1	Pilot Burner Complete With Ignitor (.018), Nat. Gas	1	1
	5171-2	Pilot Burner Complete With Ignitor (.010), LP Gas	1	1
31.	5170-1	Pilot Mounting Bracket	1	1
** 32.	2491-1	Manifold Assembly	1	
	2492-1	Manifold Assembly		1
33.	5262-1	Manifold Outlet Tube	1	1
34.	3-694A	90° Elbow, 1/4 C x 1/8 MPT	1	1
35.	3-644	Tee, 1/4 C	1	1
36.	9014-1	90° Reducing Elbow, 3/4" x 1/2"	1	1
37.	5263-1	Orifice Inlet Tube	1	1

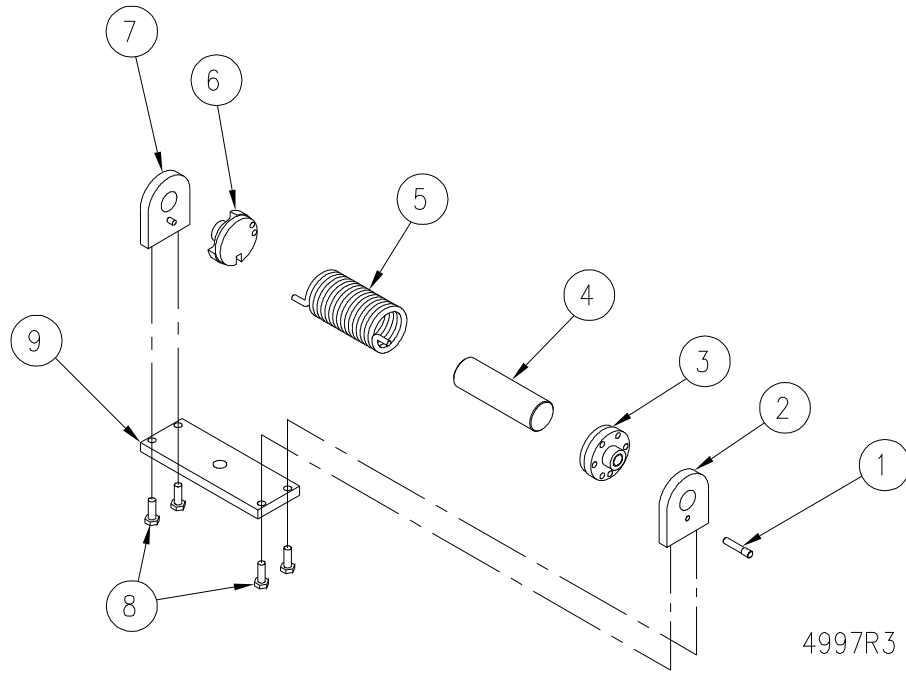
* NOT SHOWN.

** SELECT AS REQUIRED.

PARTS LIST, GAS TILTING SKILLETS, MODELS: GTS-30, GTS-40

HINGE ASSEMBLY

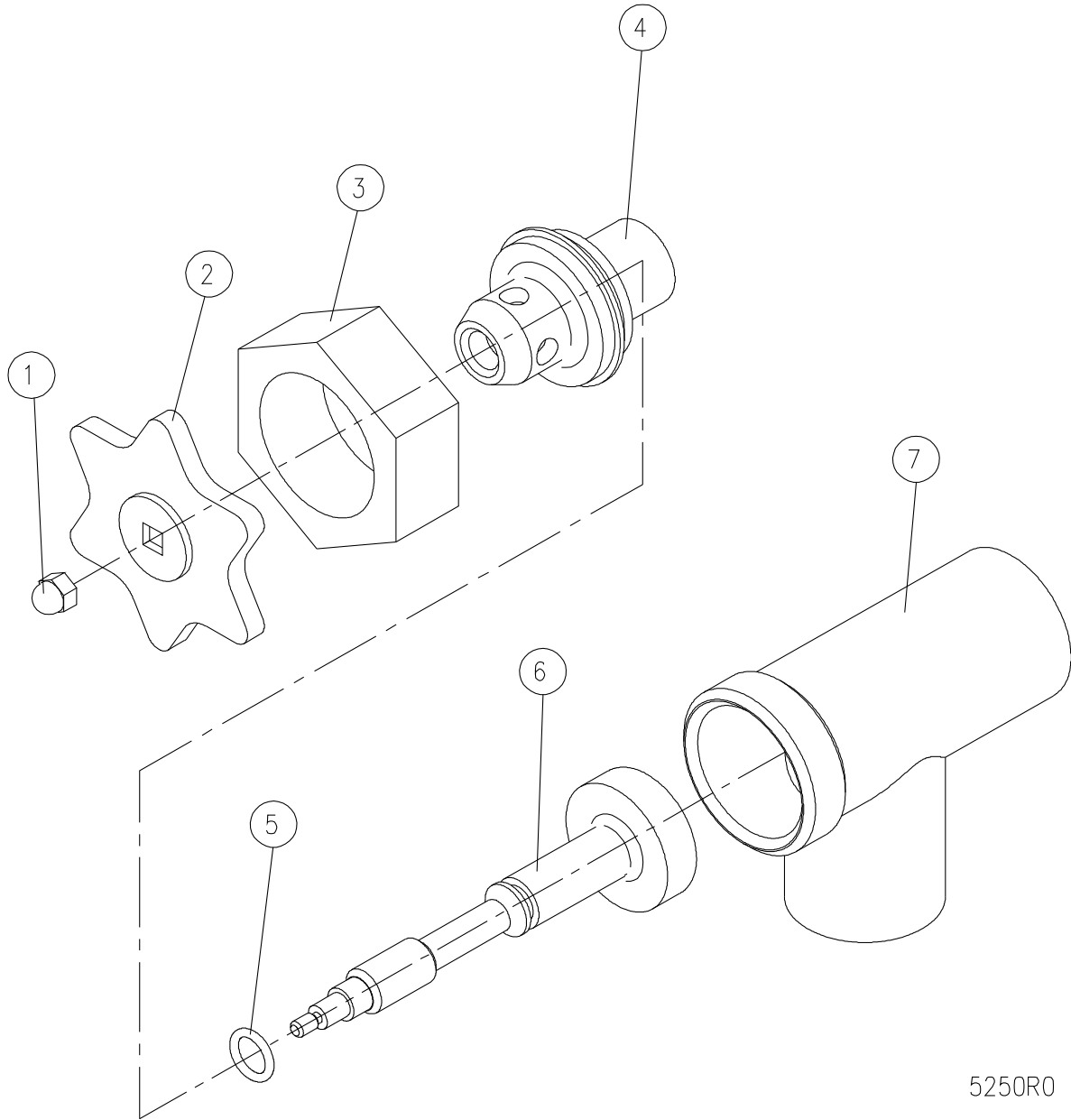
FIGURE 3



<u>ITEM NUMBER</u>	<u>PART NUMBER</u>	<u>DESCRIPTION 24 & 30 GALLON</u>	<u>QUANTITY</u>
	9-3185	LARGE HINGE ASSEMBLY	
1.	8-2029	Lock Pin	1
2.	8-2035L	End Lock Plate	1
3.	5428-1	Stationary Disc	1
4.	5430-1	Core	1
5.	8-2026	Spring	1
6.	5429-1	Rotary Disc	1
7.	8-2021	End Stop Plate	1
8.	M506-1420-34	Hex HD Screw, 1/4-20 x 3/4, Stainless Steel	4
9.	3730-1	Base Plate	1

PARTS LIST, GAS TILTING SKILLETS, MODELS: GTS-30, GTS-40

FIGURE 4



5250R0

PARTS LIST, GAS TILTING SKILLETS, MODELS: GTS-30, GTS-40

FIGURE 4

<u>ITEM</u>	<u>PART NUMBER</u>	<u>DESCRIPTION</u>	<u>QTY.</u>
	3-D015	1-1/2" DRAW-OFF VALVE ASSEMBLY	
1.	9031-3	Acorn Nut 10-24 UNC	1
2.	4115-1	Handle, Stainless Steel	1
3.	3-DV14	Bonnet	1
4.	3-DV13	Gland Nut	1
5.	3-DV16	"O" Ring	1
6.	3-DV15RV	Stem Assembly	1
7.	3-DV17	Valve Body	1

<u>ITEM</u>	<u>PART NUMBER</u>	<u>DESCRIPTION</u>	<u>QTY.</u>
	3-D020	2" DRAW-OFF VALVE ASSEMBLY	
1.	9031-3	Acorn Nut 10-24 UNC	1
2.	4115-1	Handle, Stainless Steel	1
3.	3-DV24	Bonnet	1
4.	3-DV23	Gland Nut	1
5.	3-DV26	"O" Ring	1
6.	3-DV25RV	Stem Assembly	1
7.	3-DV27	Valve Body	1

<u>ITEM</u>	<u>PART NUMBER</u>	<u>DESCRIPTION</u>	<u>QTY.</u>
	3-D030	3" DRAW-OFF VALVE ASSEMBLY	
1.	3-DV31	Acorn Nut, 7/16 - 14 UNC	1
2.	3-DV32	Handle, Stainless Steel	1
3.	3-DV34	Bonnet	1
4.	3-DV33	Gland Nut	1
5.	3-DV36	"O" Ring	1
6.	3-DV35RV	Stem Assembly	1
7.	3-DV37	Valve Body	1